

TEMPLATE NO.

18057

SHT 1 OF 1



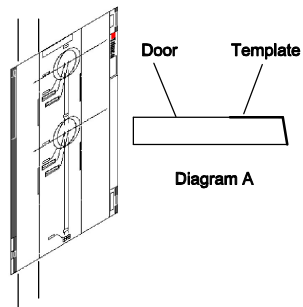
3528 Emery Street
PO BOX 23277
Los Angeles, CA 90023-0277
(323)262-4191 www.trimcobbw.com
email:info@trimcobbw.com

PRODUCT

8120RFD/8120LFD
8125RFD/8125LFD
INSTALLATION INSTRUCTIONS

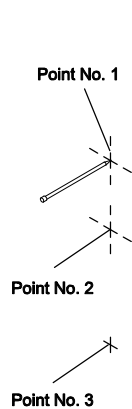
DOOR AND FRAME PREPARATION TEMPLATE INSTRUCTIONS

1 POSITION TEMPLATE



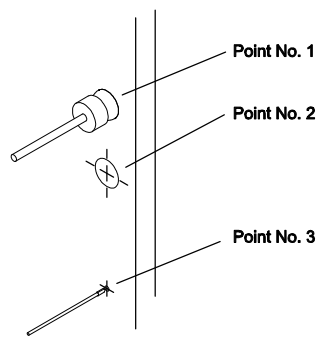
Determine latch backset (2-3/8" or 2-3/4"). Fold enclosed dummy entry template on dotted line and locate on door at desired height. If door is beveled (See Diagram A). Place folded edge on shorter side of bevel as shown above. Tape dummy entry template in place.

2 MARK DOOR



Mark appropriate drill points on door to correspond with points on dummy entry template.

3 2-1/8" FACE BORES & 3/8" HOLE

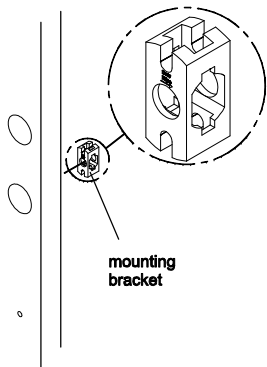


Using 2-1/8" dia hole saw, drill perpendicular to door and drill through. Repeat at Point No. 2 location.

Using 3/8" drill bit, drill through perpendicular to door at Point No. 3.

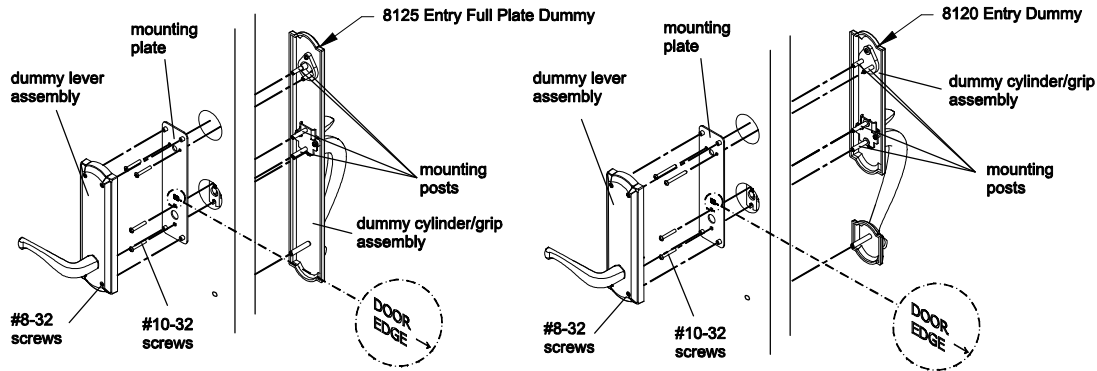
INSTALLATION INSTRUCTIONS

1 INSERT MOUNTING BRACKET



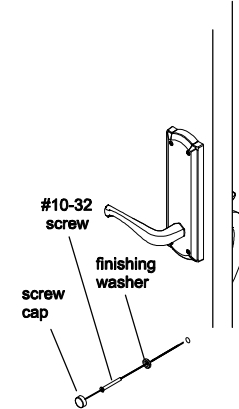
Insert mounting bracket into location of hole Point No.2 as shown.

2 INSTALL DUMMY LEVER ASSEMBLY & DUMMY CYLINDER/GRIP ASSEMBLY



Remove two (2) small mounting posts from package and thread into dummy cylinder. Detach mounting plate and dummy lever by removing four (4) small screws. Leave four (4) mounting screws on the mounting plate. Install grip assembly by aligning mounting posts with corresponding openings of the mounting bracket. For door thickness 2-1/8 thick, replace all four (4) mounting screws with longer screws provided. Align mounting plate with the door edge facing as shown. Fasten all four (4) mounting screws. Attach lever assembly by fastening four (4) small screws.

3 INSTALL SCREW AND FINISHING WASHER



Insert one (1) mounting screw and finishing washer into 3/8" dia hole in door. Adjust and tighten all screws.

NOTE: This template is provided for use only on the job for which it was requested. Trimco reserves the right to make design changes without notice. Trimco will not be responsible for errors or damage caused by the use of out-of-date templates.

DATE

02/02/07