



# SAINT-GAUDENS

SOLID BRONZE HARDWARE

*the beauty of fine design, the eternity of solid bronze*

V E N E T O



SOLID BRONZE



dark bronze



satin bronze



satin nickel bronze

## Saint-Gaudens Hardware

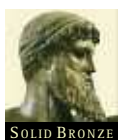
*is designed to provide lasting service. Made of the highest quality materials and engineered to meet strict safety standards, this hardware will provide years of useful service and distinguish your home as extraordinary.*

*The Saint-Gaudens Collection has hardware for all areas your home. From the front door, interior doors, sliding doors, bedrooms, bathrooms, cabinets, fireplaces and outdoors, no home need be without the distinctive look of bronze.*

*Three finishes are offered. Finishes are shown on the left.*

### INDEX

Sectional Entrance Handle Sets-Knobs . . . .	3-5
Sectional Entrance Handle Sets-Levers . . . .	6-7
Interconnected Lock Sets . . . . .	8
Mortise Lock Sets . . . . .	9
Interior Lock Sets . . . . .	10-13
Dead Bolts . . . . .	14-16
Product Listing . . . . .	17-18



# SAINT-GAUDENS

SOLID BRONZE HARDWARE



V E N E T O

## Veneto Entrance Handle Sets



8110-ENTR.SB



## Veneto Entrance Handle Sets - Knob

*Applications/Specifications*

### Applications:

Saint-Gaudens locks are quality-designed and engineered for residential and light commercial applications where elegant craftsmanship, durability, and security are of concern. Knobs and roses are manufactured of solid, cast bronze for maximum strength and durability.

### Features:

- ▶ Non-handed
- ▶ Ease of installation using standard 2-1/8" dia. door prep (ANSI 161 for 2-3/8" backset)
- ▶ Solid Bronze Knobs/Escutcheons/Roses
- ▶ Solid brass 5-pin 'C' keyway cylinder standard

### Specifications:

#### Handing

Non-handed.

#### Door Thickness

1-3/4" (44mm) to 2-1/8" (54mm) standard.

#### Backset

2-3/8" (66mm) standard.

2-3/4" (70mm) optional.

#### Faceplate

2-1/4" (57mm) x 1-1/8" (29mm) square corner latch faceplate standard.

#### Bolt

Deadbolt constructed of solid brass. Deadbolt has 1" (25mm) throw when extended with a hardened steel insert for maximum protection and security. Latchbolt constructed of stainless steel. Latchbolt has a 1/2" (13mm) throw when extended to fully engage the door jamb.

#### Strike

Latch is furnished with a 'T' strike. Latch and deadbolt furnished with a dust box.

#### Center to Center(CTC) (lock to deadbolt)

5-1/2" (CTC) standard template.

#### Door Preparation

2-1/8" (54mm) dia. face bore with no additional hardware. 1" (25mm) dia. latch bore.

#### Cylinder

Solid brass, 5-pin, 'C' keyway standard. Cylinder is protected with a free-turning cylinder guard to resist gripping or twisting by vandals.

#### Keying

Cylinders easily re-keyed for individual job requirements.

#### Keys

Two chrome plated brass keys standard. Designed with 1-1/4" (32mm) wide bow surface to facilitate use by physically challenged individuals.

#### Finishes

Dark Bronze, Satin Bronze, Satin Nickel Bronze.

#### Dimensions

Grip: 7-1/4" CTC

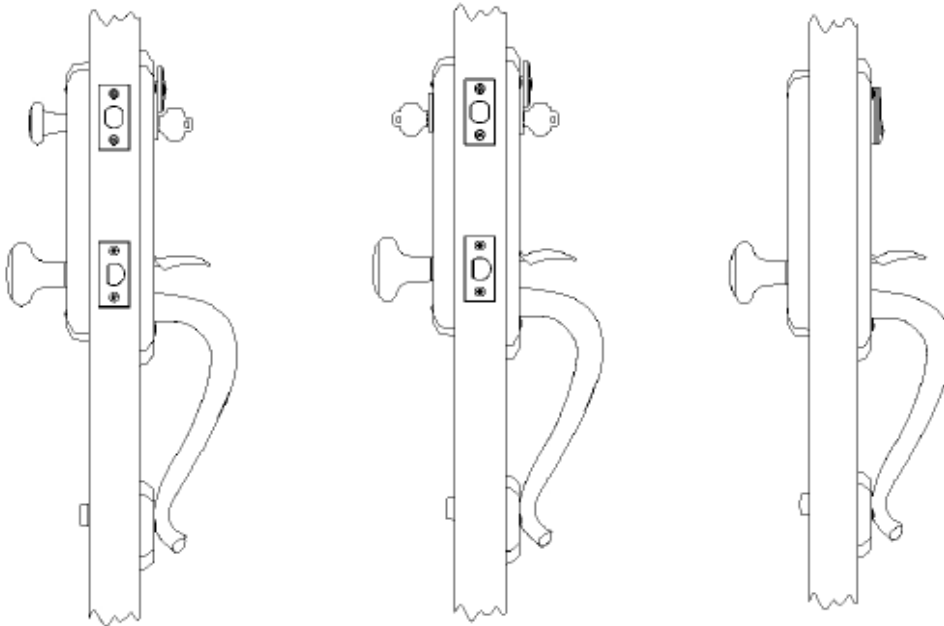
Escutcheon: 3" x 11"



## Veneto Entrance Handle Sets

*Functions*

Functions:



### Model

8110-ENTR

8110-DBLC

8110-FD

### Function

Handle Set, Single  
Cylinder Deadbolt

Handle Set, Double  
Cylinder Deadbolt

Dummy Handle Set with  
Dummy Deadbolt

### Description

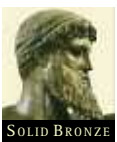
Deadbolt operated by key outside or thumbturn from inside. Latchbolt operated by thumbpiece outside and knob inside.

Deadbolt operated by keys both sides. Latchbolt operated by thumbpiece outside and knob inside.

Handle and knob act as a pull only. For inactive leaf of double doors. No operation.



## Veneto Entrance Handle Sets



## Veneto Entrance Handle Sets - Lever

*Applications/Specifications*

### Applications:

Saint-Gaudens locks are quality-designed and engineered for residential and light commercial applications where elegant craftsmanship, durability, and security are of concern. Knobs, handles, escutcheons, and roses are manufactured of solid, cast bronze for maximum strength and durability.

### Features:

- ▶ Ease of installation using standard 2-1/8" dia. door prep (ANSI 161 for 2-3/8" backset)
- ▶ Solid Bronze Knobs/Escutcheons/Roses
- ▶ Solid brass 5-pin 'C' keyway cylinder standard

### Specifications:

#### Handing

Entry lever sets are handed either left hand or right hand. See diagram on next page for how to hand a door.

#### Door Thickness

1-3/4" (44mm) to 2-1/8" (54mm) standard.

#### Backset

2-3/8" (66mm) standard.

2-3/4" (70mm) optional.

#### Faceplate

2-1/4" (57mm) x 1-1/8" (29mm) square corner latch faceplate standard.

#### Bolt

Deadbolt constructed of solid brass. Deadbolt has 1" (25mm) throw when extended with a hardened steel insert for maximum protection and security. Latchbolt constructed of stainless steel. Latchbolt has a 1/2" (13mm) throw when extended to fully engage the door jamb.

#### Strike

Latch is furnished with a 'T' strike. Latch and deadbolt furnished with a dust box.

#### Center to Center(CTC) (lock to deadbolt)

5-1/2" (CTC) standard template.

#### Door Preparation

2-1/8" (54mm) dia. face bore with no additional hardware. 1" (25mm) dia. latch bore.

#### Cylinder

Solid brass, 5-pin, 'C' keyway standard. Cylinder is protected with a free-turning cylinder guard to resist gripping or twisting by vandals.

#### Keying

Cylinders easily re-keyed for individual job requirements.

#### Keys

Two chrome plated brass keys standard. Designed with 1-1/4" (32mm) wide bow surface to facilitate use by physically challenged individuals.

#### Finishes

Dark Bronze, Satin Bronze, Satin Nickel Bronze.

#### Dimensions

Grip: 7-1/4" CTC

Escutcheon: 3" x 11"

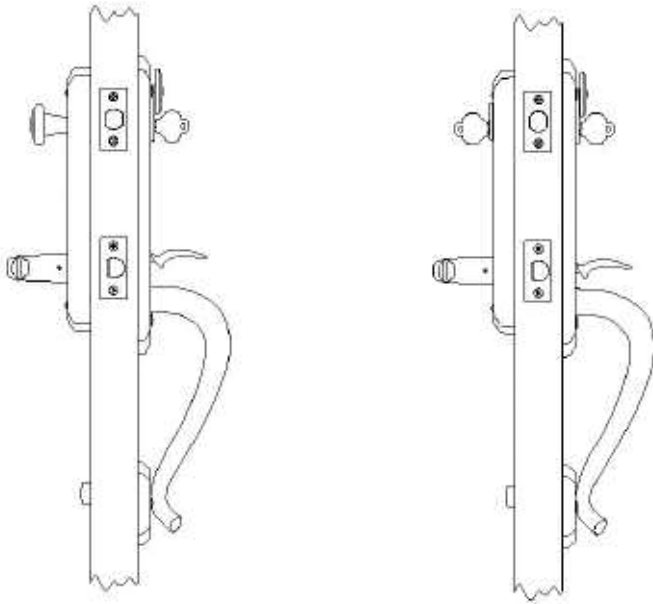
Mortise Locksets install in square mortise door preps. These locks incorporate the latch and deadbolt into one mechanism and by using heavier parts, the longevity and strength of the lock is increased.



## Veneto Entrance Handle Sets

*Functions*

Functions:



### Model

8120-XENT\* (shown)  
8125-XENT\* (Full Plate)

8120-XDBLC\* (shown)  
8125-XDBLC\* (Full Plate)

### Function

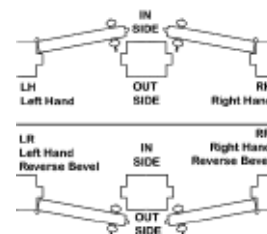
Handle Set, Single  
Cylinder Deadbolt,  
Single Locking

Handle Set, Double  
Cylinder Deadbolt,  
Double Locking

### Description

Deadbolt operated by key from outside or by thumbturn from inside. Bolt automatically deadlocks when fully thrown. Deadbolt and latchbolt retracted by lever from inside. Interconnect function ONLY.

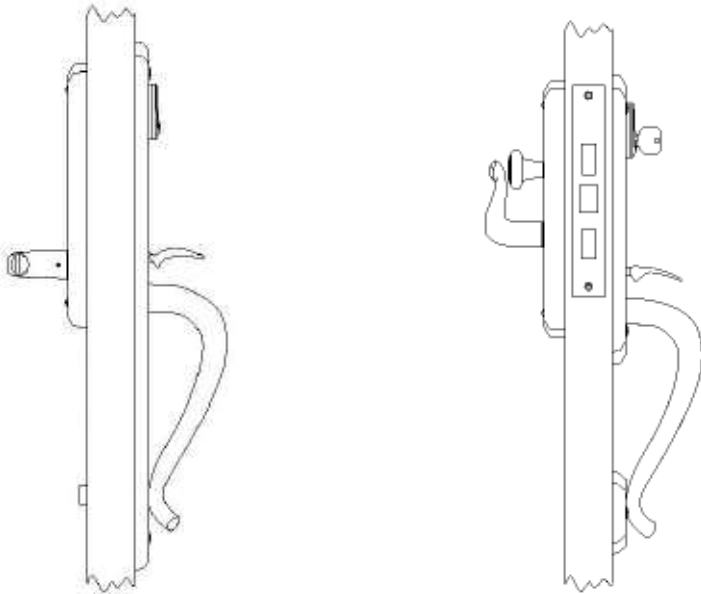
Deadbolt operated by key from outside and key from inside. Bolt automatically deadlocks when fully thrown. Outside lever locks and unlocked by key from outside and locks and locks by key from inside.



## Veneto Entrance Handle Sets

*Functions*

Functions:




---

### Model

8120-FD  
8125-FD (Full Plate) (shown)

8120-MENT (shown)  
8125-MENT (full plate)

---

### Function

Dummy Handle Set with  
Dummy Deadbolt

Mortise Handle Set,  
Single Cyl. Deadbolt.

---

### Description

Handle and grip act as a  
pull only. For inactive leaf  
of double doors. No operation.

Latch by lever inside  
and thumbpiece outside.  
Deadbolt by turnpiece inside.  
Inside lever retracts latch and  
deadbolt simultaneously leaving  
outside locked. Deadbolt deadlocks latch.



## Veneto Interior Lock Sets - Non-Handed



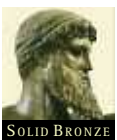
Veneto passage set  
8310-PASS.SB



Veneto privacy set  
8310-PRIV.SB



Veneto single dummy  
8310-IDM.SB



## Veneto Interior Lock Sets - Handed



Veneto passage set  
8350-PASS.SB



Veneto privacy set  
8350-PRIV.SB



Veneto single dummy  
8350-IDM.SB



## Veneto Interior Lock Sets

### *Applications/Specifications*

#### Applications:

Saint-Gaudens locks are quality-designed and engineered for residential and light commercial applications where elegant craftsmanship, durability, and security are of concern. Knobs and roses are manufactured of solid, cast bronze for maximum strength and durability. Saint-Gaudens brings a refined elegance and unsurpassed craftsmanship into your home.

#### Features:

- ▶ Non-handed Knobs - Handed Levers
- ▶ Ease of installation using standard 2-1/8" dia. door prep (ANSI 161 for 2-3/8" backset)
- ▶ Solid Bronze Knobs, Roses, and Escutcheons

#### Specifications:

##### Handing

Non-handed Knobs - Handed Levers.

##### Door Thickness

1-3/8" (35mm) to 2" (51mm) standard.

##### Backset

2-3/8" (66mm) latch standard. 2-3/4" (70mm) optional.

##### Faceplate

2-1/4" (57mm) x 1-1/8" (29mm) square corner latch faceplate standard.

##### Latch

Latch is constructed of stainless steel. The latch has a 1/2" (13mm) throw when extended to fully engage the door jamb.

##### Strike

'T' strike standard. Optional strikes available.

##### Knobs and Roses

Solid cast bronze.

##### Interior Functions

Three (3) interior functions available: Passage, privacy, and single dummy. See functions page for further information.

##### Operation

Hub and spring assembly under rose facilitates ease of operation.

##### Door Preparation

2-1/8" (54mm) dia. face bore.

1" (25mm) dia. latch bore.

##### Finishes

Dark Bronze, Satin Bronze, Satin Nickel Bronze.

##### Dimensions

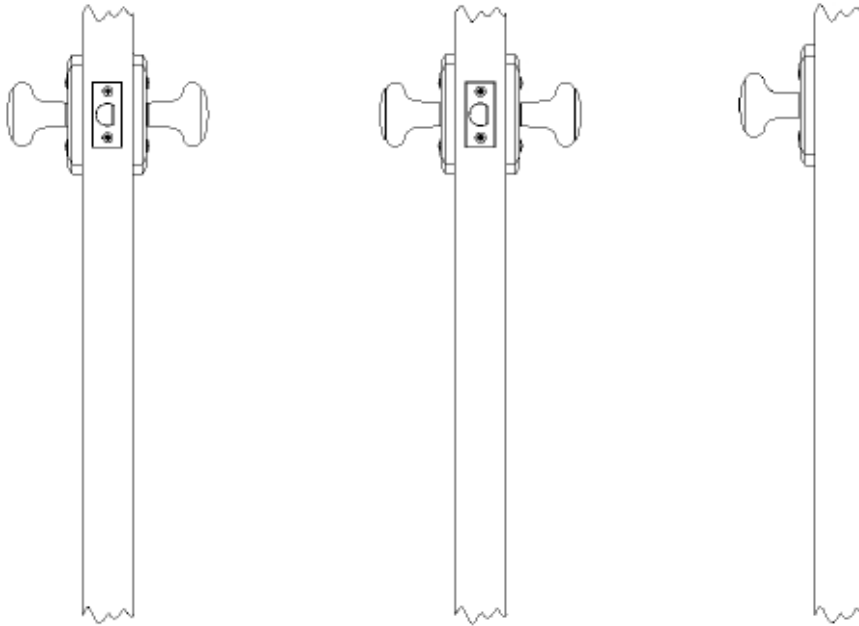
Rose: 2-3/4" x 4-1/4"



## Veneto Interior Lock Sets

*Functions*

Functions:



### Model

8310-PASS

8310-PRIV

8310-IDM

8350-PASS

8350-PRIV

8350-IDM

### Function

Passage

Bath/Bedroom Privacy

Single Dummy Trim

### Description

Both knobs always unlocked.

Internal push-button locking. Outside can be opened by emergency key. Turning inside knob or closing door releases button.

Dummy trim for one side of door. Used as door pull or as inactive trim on a pair of doors.



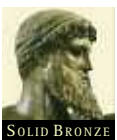
## Veneto Dead Bolts



Veneto single cylinder set  
8402-SGL.SB



Veneto double cylinder set  
8402-DBL.SB



## Veneto Dead Bolts

### *Applications/Specifications*

#### Applications:

Saint-Gaudens locks are quality-designed and engineered for residential and light commercial applications where elegant craftsmanship, durability, and security are of concern. Knobs and roses are manufactured of solid, cast bronze for maximum strength and durability. Saint-Gaudens brings a refined elegance and unsurpassed craftsmanship into your home.

#### Features:

- ▶ Non-handed
- ▶ Ease of installation using standard 2-1/8" dia. door prep (ANSI 161 for 2-3/8" backset)
- ▶ Low profile cylinder – 5/8" cylinder projection (face of door to cylinder face)

#### Specifications:

##### Handing

Non-handed.

##### Door Thickness

1-3/4 (44mm) to 2" (51mm) standard.

##### Backset

Adjustable backset 2-3/8" (66mm), 2-3/4" (70mm) deadbolt standard.

##### Faceplate

2-1/4" (57mm) x 1" (25mm) standard.

##### Bolt

Deadbolt constructed of solid brass. Deadbolt has 1" (25mm) throw when extended with a hardened steel insert for maximum protection and security.

##### Strike

2-3/4" (70mm) x 1-1/8" (28mm) standard.

##### Door Preparation

2-1/8" (54mm) dia. face bore.

1" (25mm) dia. latch bore.

##### Cylinder

Solid brass, 5-pin, 'C' keyway standard. Cylinder is protected with a free-turning cylinder guard of solid brass to resist gripping or twisting by vandals.

##### Keying

Cylinders easily re-keyed for individual job requirements.

##### Keys

Two chrome plated brass keys standard. Designed with 1-1/4" (32mm) wide bow surface to facilitate use by physically challenged individuals.

##### Finishes

Dark Bronze, Satin Bronze, Satin Nickel Bronze.

##### Dimensions

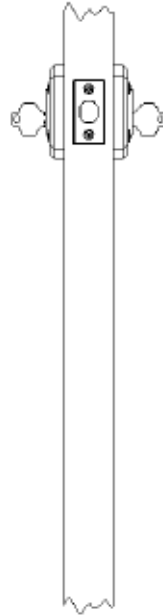
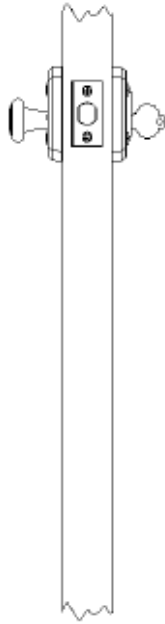
Rose: 2-5/8" x 3-1/8"



## Veneto Dead Bolts

*Functions*

Functions:




---

### Model

8402-SGL

8402-DBL

---

### Function

Single Cylinder  
Deadbolt

Double Cylinder  
Deadbolt

---

### Description

Deadbolt thrown or retracted  
by key outside or thumbturn inside.

Deadbolt thrown or retracted  
by key either side.

---



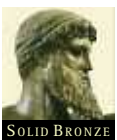
## PRODUCT LISTING - VENETO

Part Number	Product Description
8110-ENTR	Tubular Entry, Medium Plate, Round Knob
8110-DBL	Tubular Entry, Medium Plate, Round Knob, Double Cylinder
8110-FD	Entry Set, Medium Plate, Round Knob, Full Dummy
8115-ENTR	Tubular Entry, Full Plate, Round Knob
8115-DBL	Tubular Entry, Full Plate, Double Cylinder, Round Knob
8115-FD	Entry Set, Full Plate, Full Dummy, Round Knob
8120-LENT	Tubular Entry, Medium Plate, Left Handed Lever, Interconnect
8120-RENT	Tubular Entry, Medium Plate, Right Handed Lever, Interconnect
8120-LFD	Entry Set, Medium Plate, Left Handed Lever, Full Dummy
8120-RFD	Entry Set, Medium Plate, Right Handed Lever, Full Dummy
8125-LENT	Tubular Entry, Full Plate, Left Handed Lever
8125-RENT	Tubular Entry, Full Plate, Right Handed Lever
8125-LDBL	Tubular Entry, Full Plate, Left Handed Lever, Double Cylinder
8125-RDBL	Tubular Entry, Full Plate, Right Handed Lever, Double Cylinder
8125-LFD	Entry Set, Full Plate, Left Handed Lever, Full Dummy
8125-RFD	Entry Set, Full Plate, Right Handed Lever, Full Dummy
8125-MLENT1	Mortise Entry, Full Plate, Left Handed Lever, 2-1/2" Backset
8125-MRENT1	Mortise Entry, Full Plate, Right Handed Lever, 2-1/2" Backset
8125-MLDBL1	Mortise Entry, Full Plate, Left Handed Lever Double Cylinder, 2-1/2" Backset
8125-MRDBL1	Mortise Entry, Full Plate, Right Handed Lever, Double Cylinder, 2-1/2" Backset
8125-MLENT2	Mortise Entry, Full Plate, Left Handed Lever, 2 3/4" Backset
8125-MRENT2	Mortise Entry, Full Plate, Right Handed Lever, 2 3/4" Backset
8125-MLDBL2	Mortise Entry, Full Plate, Left Handed Lever, Double Cylinder, 2 3/4" Backset
8125-MRDBL2	Mortise Entry, Full Plate, Right Handed Lever, Double Cylinder, 2 3/4" Backset,



**PRODUCT LISTING - VENETO** *(continued)*

<b>Part Number</b>	<b>Product Description</b>
8310-PASS	Veneto Passage Set, Knob
8310-PRIV	Veneto Privacy Set, Knob
8310-IDM	Veneto Single Dummy, Knob
8350-PASS	Veneto Passage Set, Lever (L/R)
8350-PRIV	Veneto Privacy Set, Lever (L/R)
8350-IDM	Veneto Single Dummy, Lever (L/R)
8402-SGL	Veneto Deadbolt, Single Cylinder
8402-DBL	Veneto Deadbolt, Double Cylinder



SOLID BRONZE