

Trimco / **BBW**
 Triangle Brass Manufacturing Company, Inc.
 3528 Emery Street, P.O. Box 23277
 Los Angeles, CA 90023, USA

Book No. _____ Date Requested: _____
 This template is provided for use only on
 the job for which it was requested.
 Trimco/BBW reserves the right to make
 design changes without notice.

Push-Pull Latch

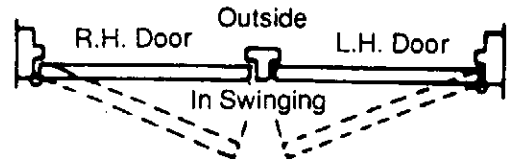
1562 - 1580 SERIES

Installation Instructions

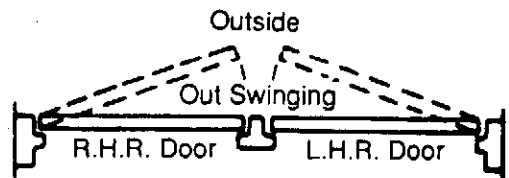
Wood Door and Frame Preparation

Mark the Door and Frame.

- Using a square, draw a horizontal line on edge and surface of door at $45\frac{3}{4}$ " (suggested unless otherwise directed) above the floor. Also mark door frame at this same height.
- Using installation template, mark location of cross bore. Also, mark location of four (4), $\frac{5}{16}$ " dia. thru holes. Next, mark edge of door on vertical centerline for 1" dia. hole (See Figure 1).
- To determine location of vertical centerline of strike, take half of the door thickness (measured from door stop or silencer if used). Using strike as a template, mark outline. Also mark location of two (2) attaching screws. (See Figure 3).



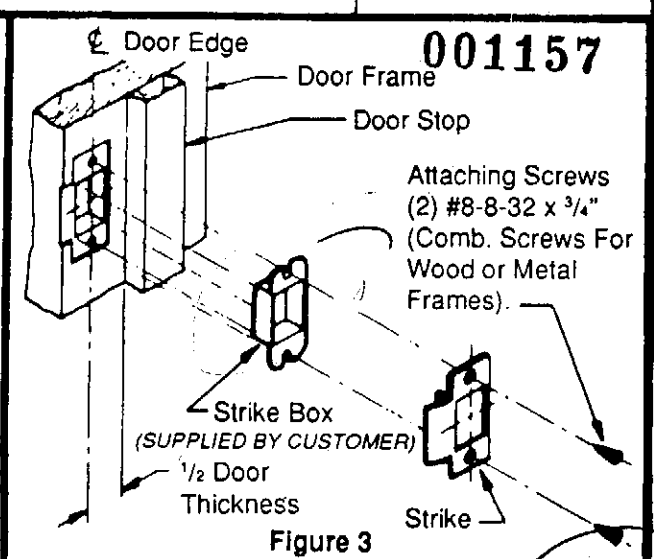
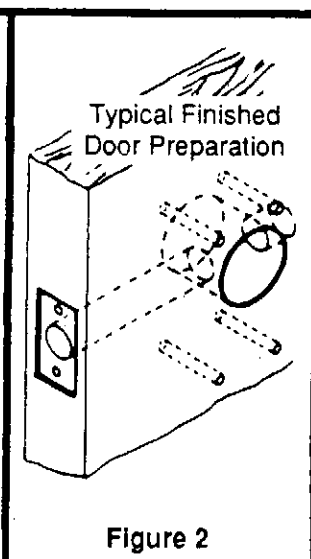
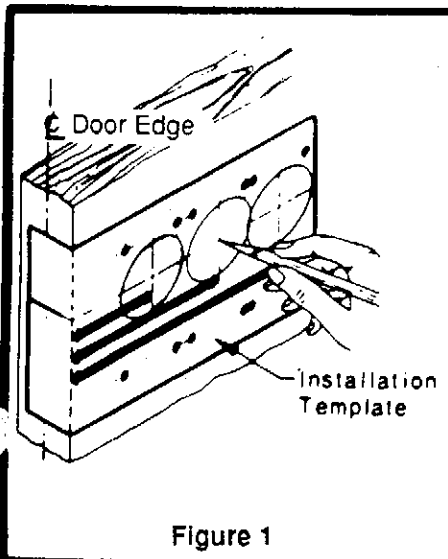
Use L.H. Push-Pull Latchset For R.H.R. Doors
 Use R.H. Push-Pull Latchset For L.H.R. Doors



Mortise and Drill Door and Frame.

- Drill holes as directed on installation Template, making certain drill is perpendicular to the door at all times while drilling. Drill $2\frac{1}{8}$ " cross bore first. Next, drill four (4), $\frac{5}{16}$ " dia. mounting holes thru. Then, drill 1" dia. edge bore.
- Insert latch bolt unit into hole in edge of door. Using front trim as a template, mark outline. Also, mark location of two (2) attaching screws. Remove latch bolt unit.
- Drill pilot holes for two (2) attaching screws. Next, mortise door edge $\frac{5}{32}$ " deep for front trim. (See Figure 2).
- Drill pilot holes for strike attaching screws in jamb. Mortise jamb $\frac{3}{32}$ " deep for strike. Mortise jamb to receive strike box. (See Figure 3).

DWG. NO. 11569

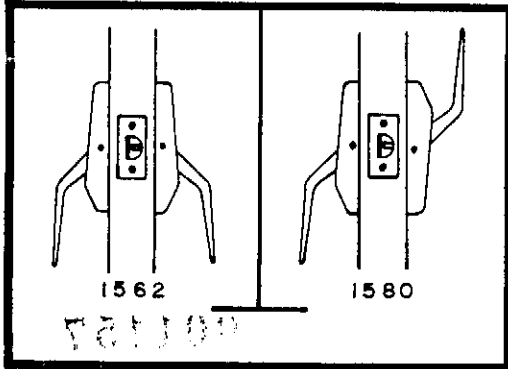
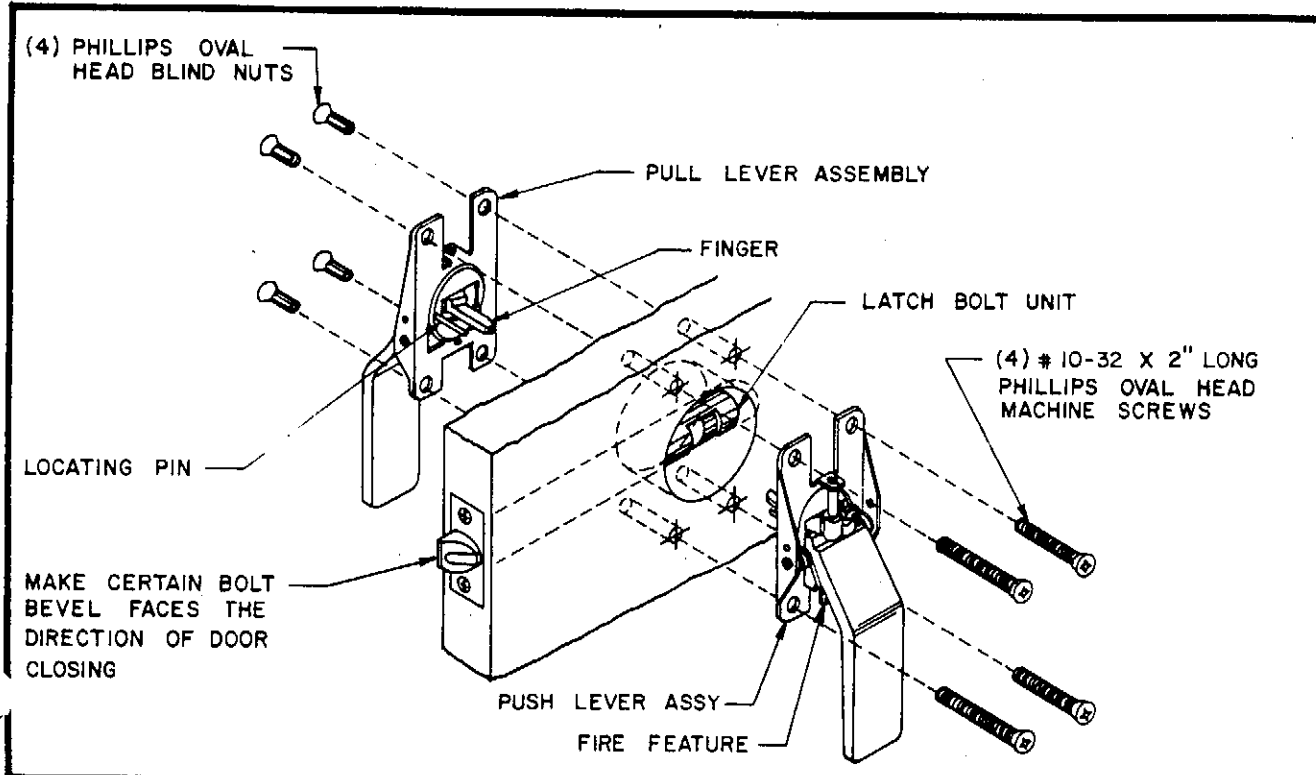


Push-Pull Latch

Installation Instructions

Book No. _____ Date Requested: _____
 This template is provided for use only on the job for which it was requested.
 Trimco/BBW reserves the right to make design changes without notice.

1. Place Latch Bolt Unit in mortise making sure bolt bevel faces direction of door closing. Attach front with two (2) #8-8-32 screws.
2. Position Lever Assemblies so that Locating Pin and Cam Arm enter into corresponding holes in Latch Bolt Unit. Attach Lever Assemblies by thru bolting onto door with four (4) #10-32 x 2" long Phillips Oval Head Machine Screws and four (4) Phillips Oval Head Blind Nuts (For 1 3/4" doors only. Use included flat washer behind the screw head.) For purpose of alignment do not tighten screws until all four (4) screws have been started. See Figure 1.
3. Note position of Covers in Figure 2. Apply Covers and fasten with two (2) screws for each cover.
4. Insert Strike Box in mortise and attach strike with two (2) #8-8-32 screws.



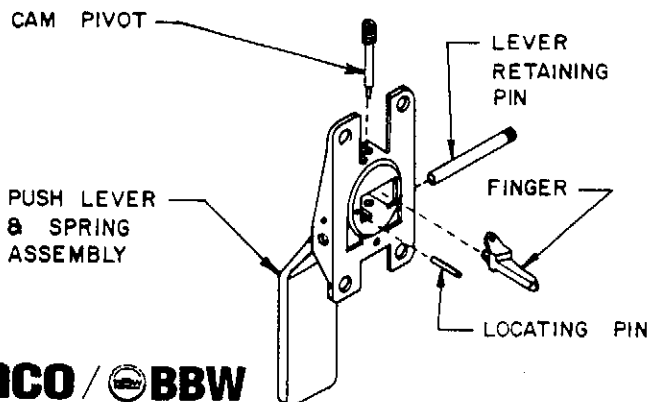
NOTES

- 1). THERE ARE TWO STRIKE SIZES AVAILABLE.
 A). ANSI A115.2 #18-4 7/8" X 1 1/4" X 1 1/4" CURVED LIP
 B). ANSI A115.3 #14-2 3/4" X 1 1/8" X 1 1/4" CURVED LIP WITH WROUGHT BOX STANDARD.
- 2). AVAILABLE BACKSETS, 2 3/4", 3 3/4", 5" AND 7"
- 3). SCREW SIZE AVAILABLE ACCORDING TO STRIKE SIZE.
 A). #12 X 3/4" FHPH COMB. SCREW FOR A115.2 STRIKE
 B). #8 X 3/4" FHPH COMB. SCREW FOR A115.3 STRIKE

TO CHANGE HAND OF EACH LEVER ASSEMBLY:

1. Remove Cam Pivot Pin.
2. Remove Cam and reverse its operation.
3. Replace Cam Pivot Pin.
4. Remove Locating Pin and relocate on opposite side. Drive in 1/8".
5. After mounting, adjust hex socket head screws in lever to eliminate free play between lever latch bolt.

NOTE:
 Push-Pull Latchsets are assembled for right or left hand doors.
 Be sure correct hand matches door application.



Trimco / BBW
 Triangle Brass Manufacturing Company, Inc.
 3528 Emery Street, P.O. Box 23277
 Los Angeles, CA 90023, USA

DWG. NO. 11569

Push-Pull Latch

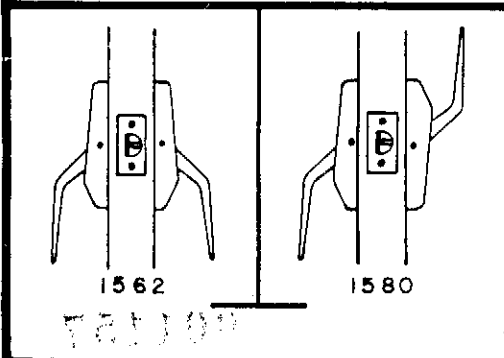
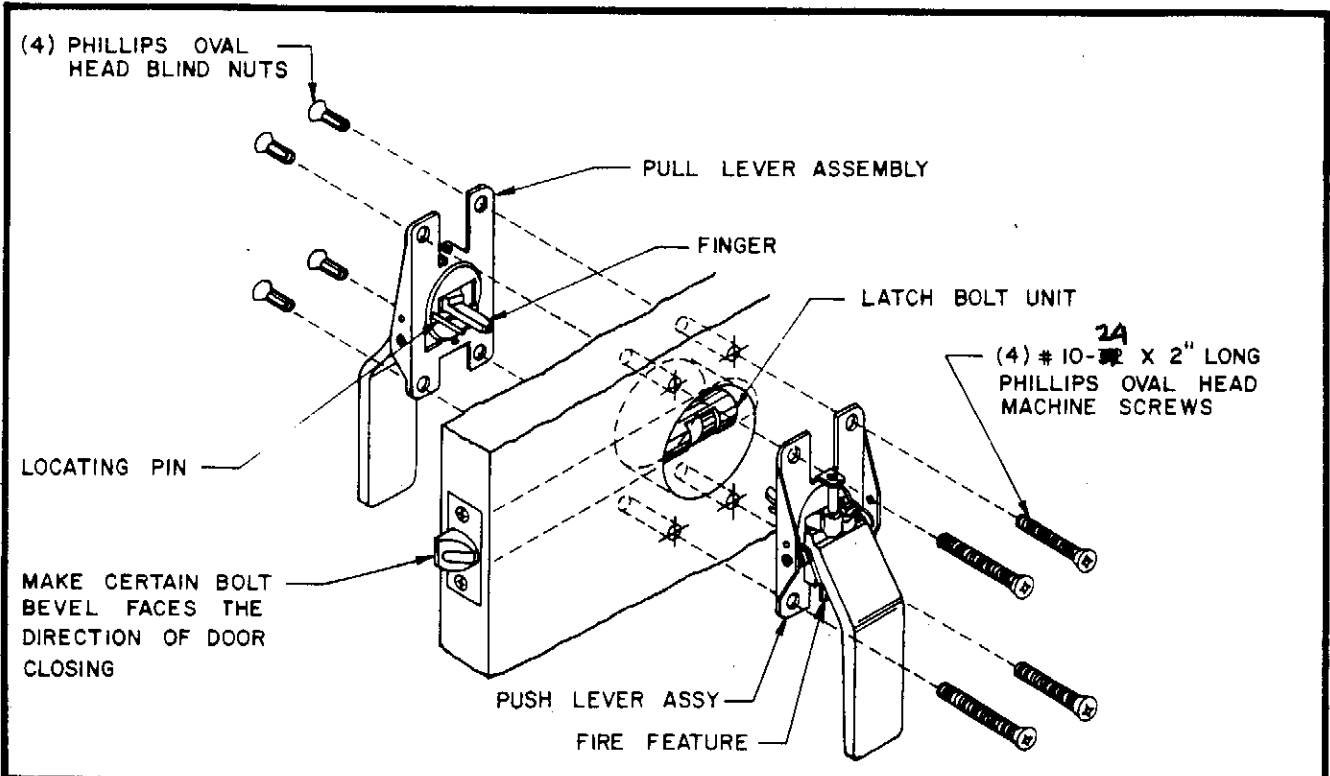
Installation Instructions

Book No. _____ Date Requested: _____

This template is provided for use only on the job for which it was requested.

Trimco/BBW reserves the right to make design changes without notice.

1. Place Latch Bolt Unit in door making sure bolt bevel faces direction of door closing. Attach front with two (2) #8-8-32 screws.
2. Position Lever Assemblies so that Locating Pin and Cam Arm enter into corresponding holes in Latch Bolt Unit. Attach Lever Assemblies by thru bolting onto door with four (4) #10-32 x 2" long Phillips Oval Head Machine Screws and four (4) Phillips Oval Head Blind Nuts (For 1 3/4" doors only. Use included flat washer behind the screw head.) For purpose of alignment do not tighten screws until all four (4) screws have been started. See Figure 1.
3. Note position of Covers in Figure 2. Apply Covers and fasten with two (2) screws for each cover.
4. Insert Strike Box in mortise and attach strike with two (2) #8-8-32 screws.



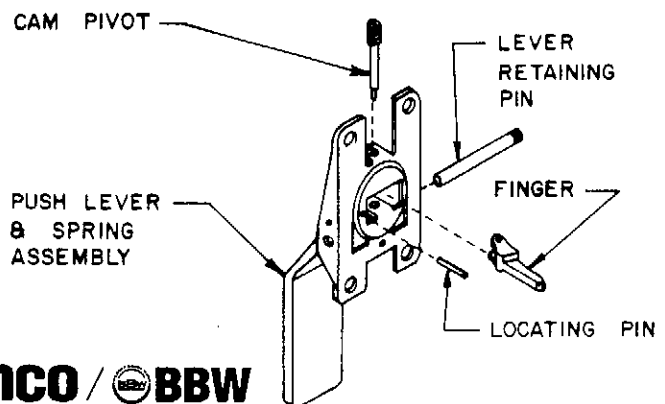
NOTES

- 1) THERE ARE TWO STRIKE SIZES AVAILABLE.
 - A) ANSI A115.2 #18-4 7/8" X 1 1/4" X 1 1/4" CURVED LIP
 - B) ANSI A115.3 #14-2 3/4" X 1 1/8" X 1 1/4" CURVED LIP WITH WROUGHT BOX STANDARD.
- 2) AVAILABLE BACKSETS. 2 3/4", 3 3/4", 5" AND 7"
- 3) SCREW SIZE AVAILABLE ACCORDING TO STRIKE SIZE.
 - A) #12 X 3/4" FHPH COMB. SCREW FOR A115.2 STRIKE
 - B) #8 X 3/4" FHPH COMB. SCREW FOR A115.3 STRIKE

TO CHANGE HAND OF EACH LEVER ASSEMBLY:

1. Remove Cam Pivot Pin.
2. Remove Cam and reverse its operation.
3. Replace Cam Pivot Pin.
4. Remove Locating Pin and relocate on opposite side. Drive in 1/8".
5. After mounting, adjust hex socket head screws in lever to eliminate free play between lever latch bolt.

NOTE:
Push-Pull Latchsets are assembled for right or left hand doors.
Be sure correct hand matches door application.



Trimco / BBW
Triangle Brass Manufacturing Company, Inc.
3528 Emery Street, P.O. Box 23277
Los Angeles, CA 90023, USA

DWG. NO. 11569

plumb Rev 2 of 6

Do Not Scale

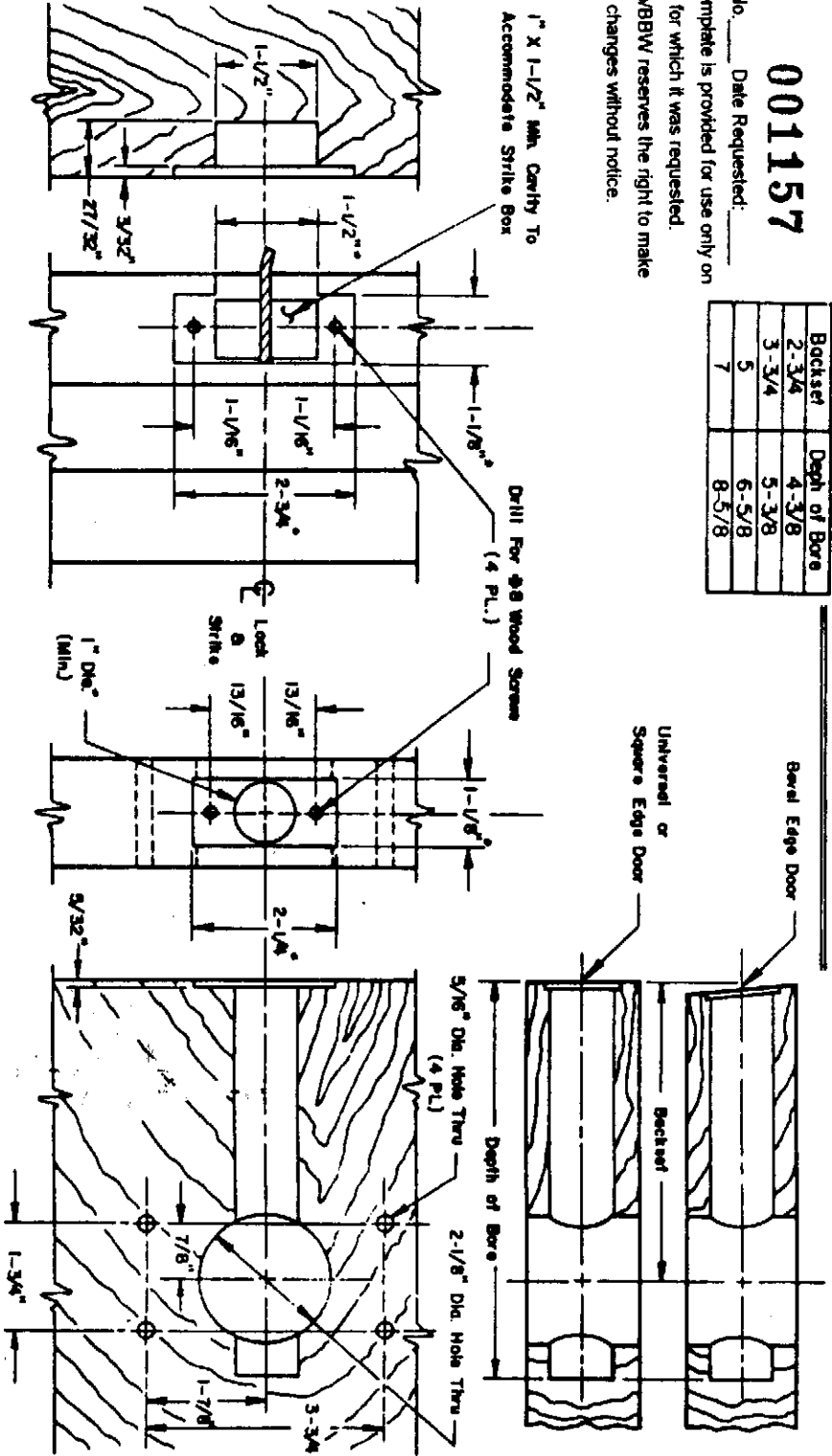
Wood Door & Frame

001157

Book No. _____ Date Requested: _____

This template is provided for use only on the job for which it was requested. Trimco/BBW reserves the right to make design changes without notice.

Backset	Depth of Bore
2-3/4	4-3/8
3-3/4	5-3/8
5	6-5/8
7	8-5/8



Door Frame Strike Provisions
FOR 4 7/8" STRIKE, SEE REVERSE SIDE

(For Metal Door & Frame)
See Reverse Side

Door Latch Provisions

Wood Door Notes:

- 1) All Dimensions Marked With (*) May Be +1/32" -0.
- 2) (**) Suggested Unless Otherwise Directed



Patent #'s 4003593
4988583

DWG. NO. 11569

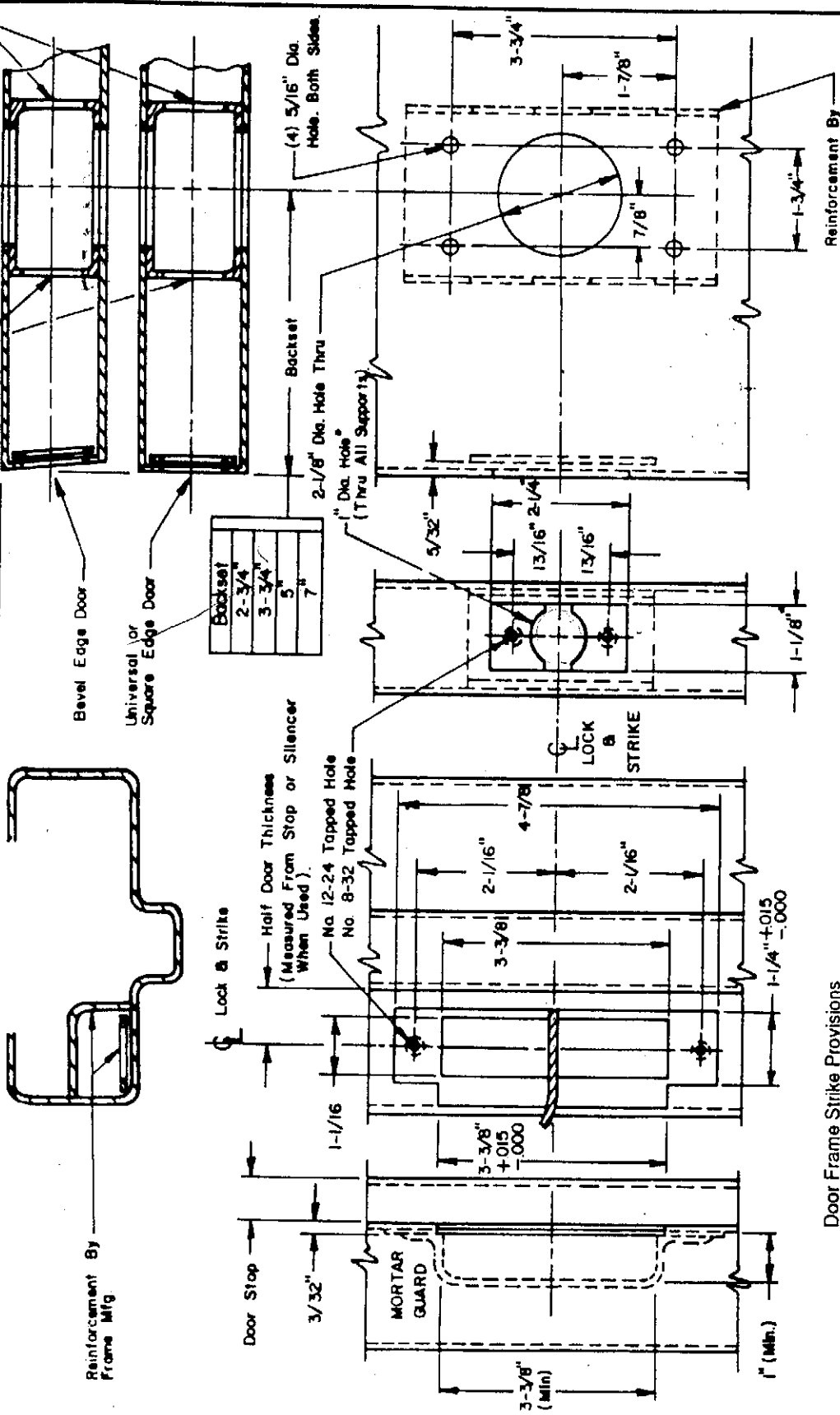
Installation
Template

1562, 1562P, 1562E, 1563, 1563P, 1580, 1580P, 1581, 1581P Series
Push-Pull Latch 2-3/4", 3-3/4", 5", 7" Backset (ANSI A115.2)
4-7/8" and (ANSI A115.3) 2-3/4" Strike for 1-3/4", 2", 2-1/4"
Doors. 1591, 1591P Series Push-Pull Latch.

Trimco / **BBW**
Trimco/BBW Manufacturing Company, Inc.
3528 Emery Street, P.O. Box 23277
Los Angeles, CA 90023, USA

Do Not Scale

Metal Door & Frame



Door Frame Strike Provisions
FOR 2 7/8" STRIKE, SEE REVERSE SIDE

Metal Door Notes.

- 1) All Dimensions Marked With (") May Be +1/32", -0.
- 2) (") Suggested Unless Otherwise Directed
- 3) Reinforcement Must Be Applied On Metal Doors At The Screw Locations.
- 4) Reinforcement To Be Supplied By Door Manufacturer. The Lever Assys Must Be Supported. The Latch Bolt Unit Must Be Supported And Centered Within 1/16" Of The Centerline At The Back End.

Book No. _____ Date Requested: _____
 This template is provided for use only on the job for which it was requested.
 Trimco/BBW reserves the right to make design changes without notice.

Door Latch Provisions

DWG. NO. 11569

Trimco / BBW
 Forge Brass Manufacturing Company, Inc.
 3528 Emery Street, P.O. Box 23277
 Los Angeles, CA 90023, USA

(For Wood Door & Frame)
 See Reverse Side



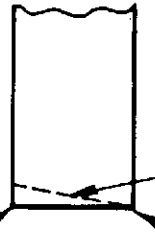
Installation Template

(For Wood Doors Only)

Mark Center of Door Thickness for 1" Dia. Hole.

Backset	Hole Depth
2 3/4"	4 3/8"
5"	6 5/8"
7"	8 5/8"

Square Edge Door



Bevel Edge Door

Place Template On High Edge Of Bevel Door

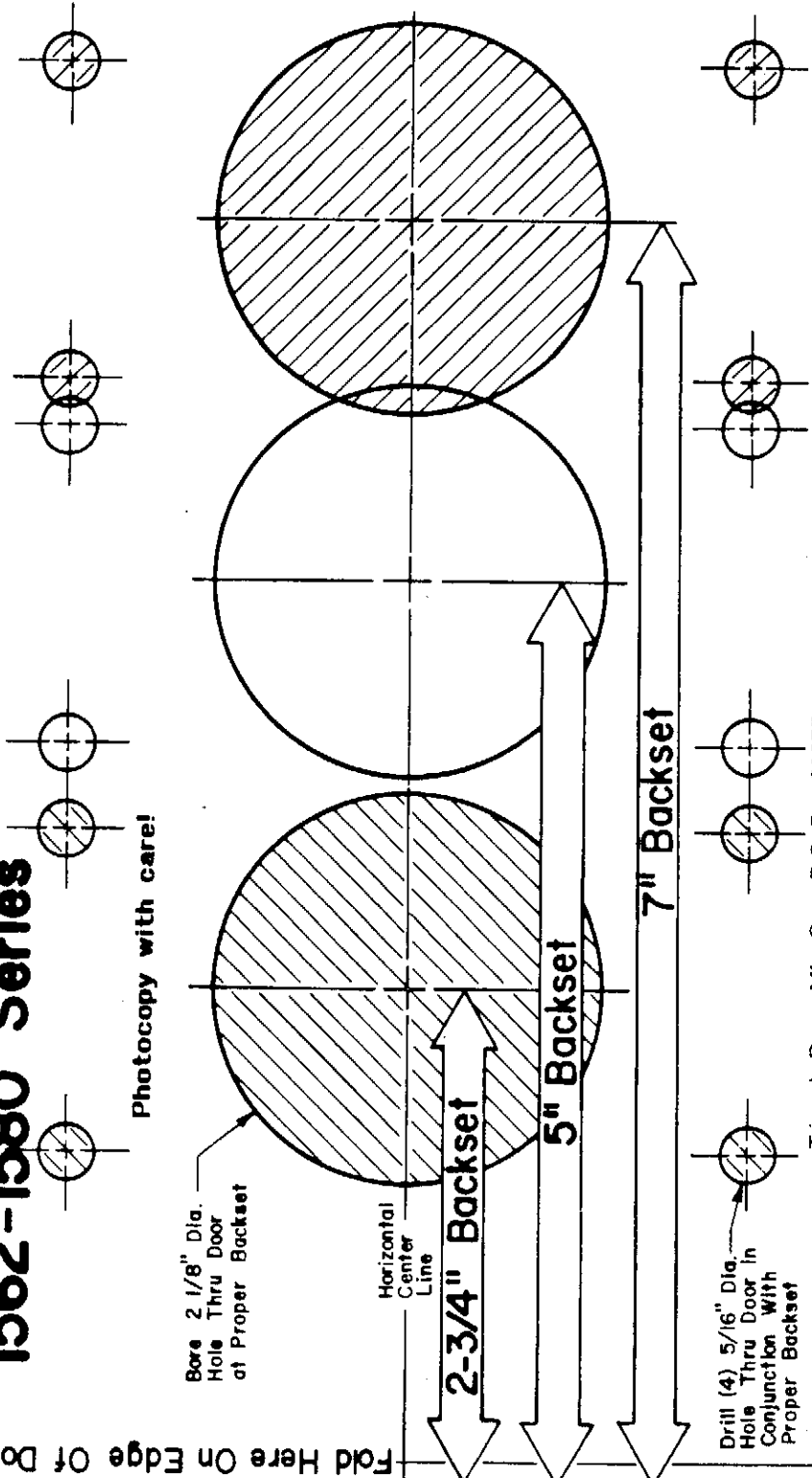
DWG. NO. 11569

THIS SIDE UP FOR L.H. OR R.H.R.

PAGE 3 OF 3

**Push-Pull Latch
1562-1580 Series**

1-3/4" to 2-1/4" Thick Doors



Photocopy with care!

Bore 2 1/8" Dia. Hole Thru Door at Proper Backset

Horizontal Center Line

2-3/4" Backset

5" Backset

7" Backset

Drill (4) 5/16" Dia. Hole Thru Door in Conjunction With Proper Backset

Triangle Brass Mfg. Co. • P.O. Box 23277 • 3520-36 Emery Street • Los Angeles, CA 90023 • (213) 262-4191

this template

001157

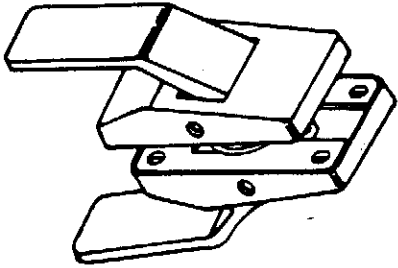
5 of 6

1500 PUSH/PULL LATCH CONFIGURATIONS

1562 and 1563
"P" Suffix for Engraving

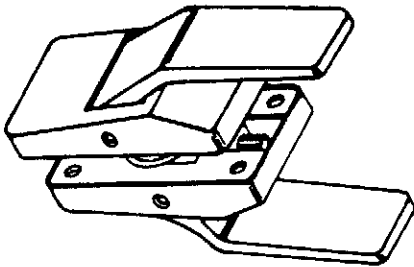


1580 and 1581
"P" Suffix for Engraving



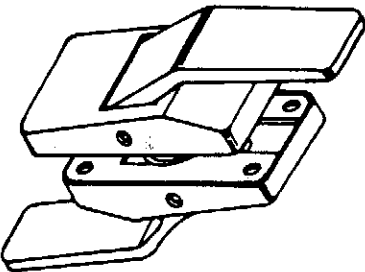
1562

Both Levers DOWN



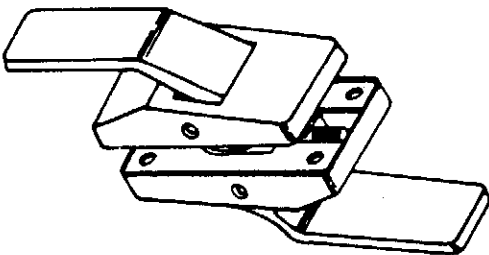
1563

Both Levers UP



1580

PUSH Lever UP



1581

PUSH Lever DOWN

NOTE: LATCH CONFIGURED AT FACTORY AS INDICATED ON EXTERIOR OF BOX. INSTALL AS SPECIFIED.