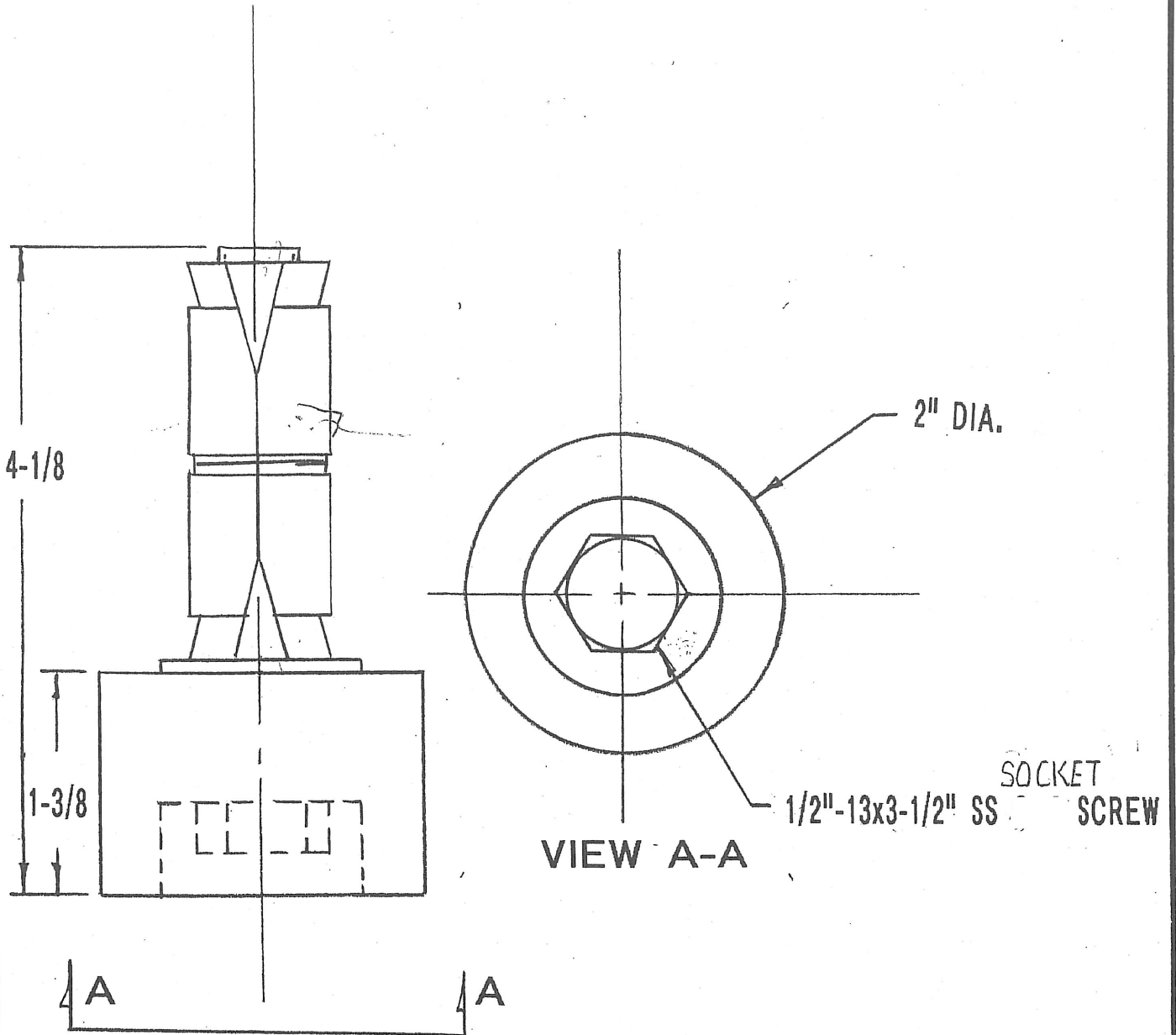


NOTES:

1. DRILL 7/8" DIA. HOLE 2-3/4" DEEP

REVISIONS

LTR	DESCRIPTION	DATE	CHECKED
-	NEW DWG	12/15/00	<i>[Signature]</i>



LOS ANGELES, CA. 90023

SCALE *FULL*

Standard Tolerances Unless Otherwise Specified
 .X = ±.030" .XX = ±.010"
 .XXX = ±.050" X° = ±1/2°

TITLE

INSTALLATION, 1209W

PART NO

DRAWN BY *IJS 12-15-00*

A DWG. NO. *12009*