

TEMPLATE NO.

17064

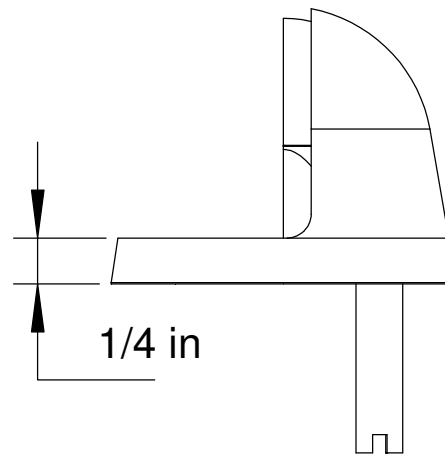
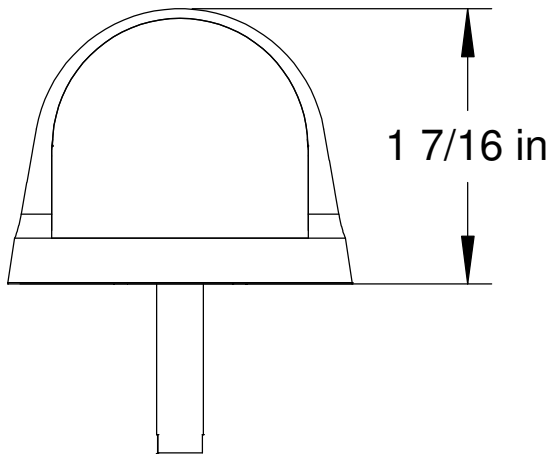
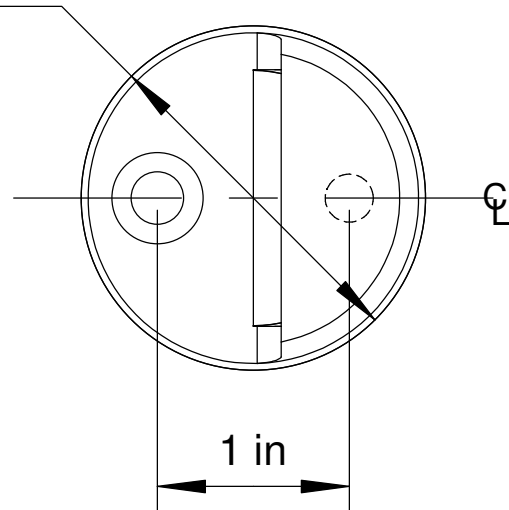


3825 Emery Street
PO Box 23277
Los Angeles, CA 90023-0277
(323) 262-4191
www.trimcobbw.com

PRODUCT

1211 UNIVERSAL
DOME STOP

Ø1 25/32 in



DRILL 5/8" X 1" DEEP
HOLE FOR ROTATION LUG

FASTENERS PROVIDED:

1/4 - 20 X 1" FH, PH, MS X ES

1/4 X 1-1/2" FH, PH, WS

NOTE: This template is provided for use only on the job for which it was requested. Trimco reserves the right to make design changes without notice. Trimco will not be responsible for errors or damage caused by the use of out-of-date templates.

DATE

4/15/04