

TEMPLATE NO.

17177



3825 Emery Street
PO Box 23277
Los Angeles, CA 90023-0277
(323) 262-4191
www.trimcobbw.com

PRODUCT

1082-6
ANTI-VANDAL DEVICE

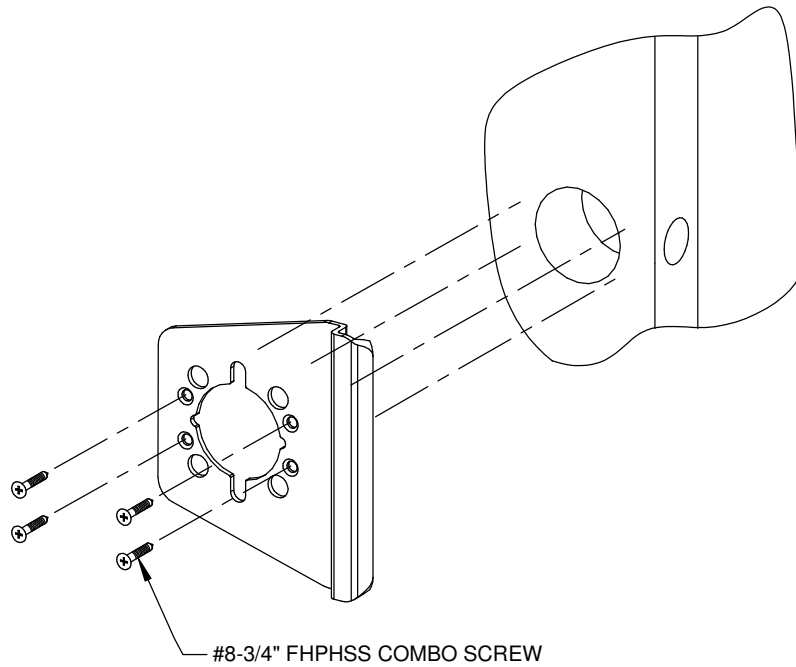


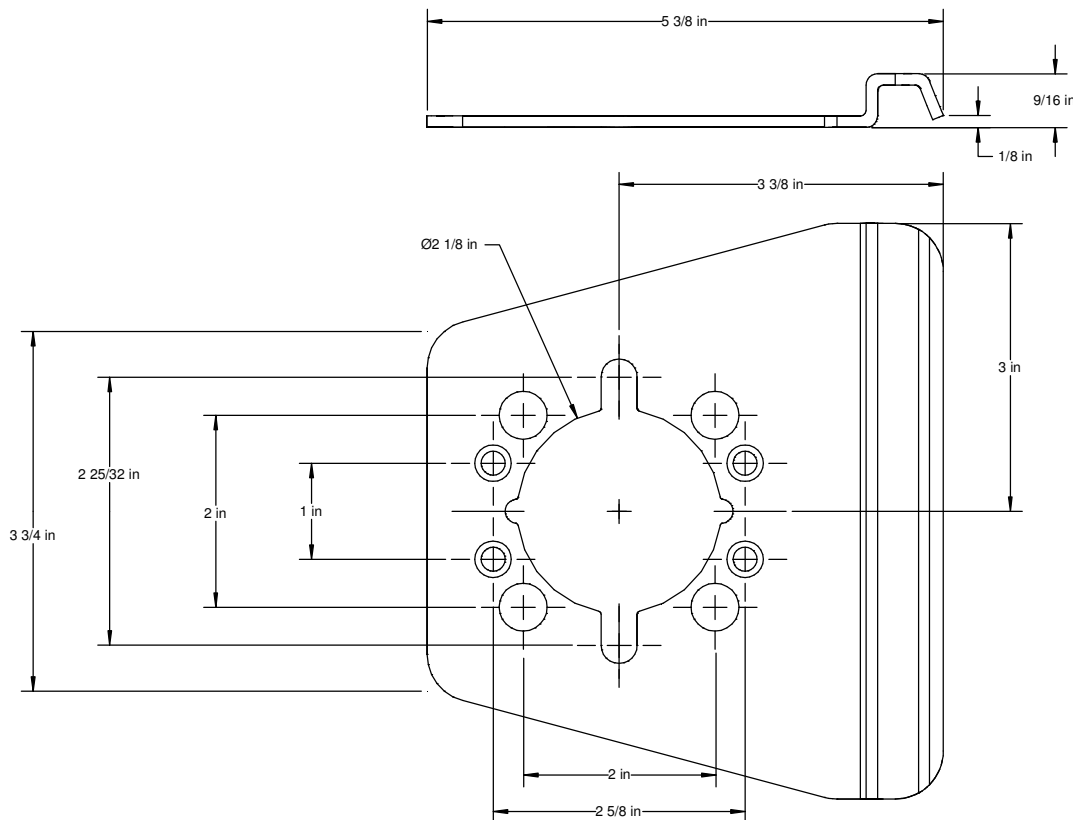
FIG.1

INSTALLATION:

ALIGN 2 1/8" HOLE IN DOOR WITH 2 1/8" HOLE ON ANTI-VANDAL PLATE AS SHOWN (FIG .1)

INSTALL (4) #8 WOOD SCREWS (FIG.1)

INSTALL ALL ADDITIONAL DOOR HARDWARE AS REQUIRED.



NOTE: This template is provided for use only on the job for which it was requested. Trimco reserves the right to make design changes without notice. Trimco will not be responsible for errors or damage caused by the use of out-of-date templates.

DATE

11/09/04