

TEMPLATE NO.

17270
SHT 1 OF 1



Trimco

3528 Emery Street
PO Box 23277
Los Angeles, CA 90023-0277
(323) 262-4191
www.trimcobbw.com

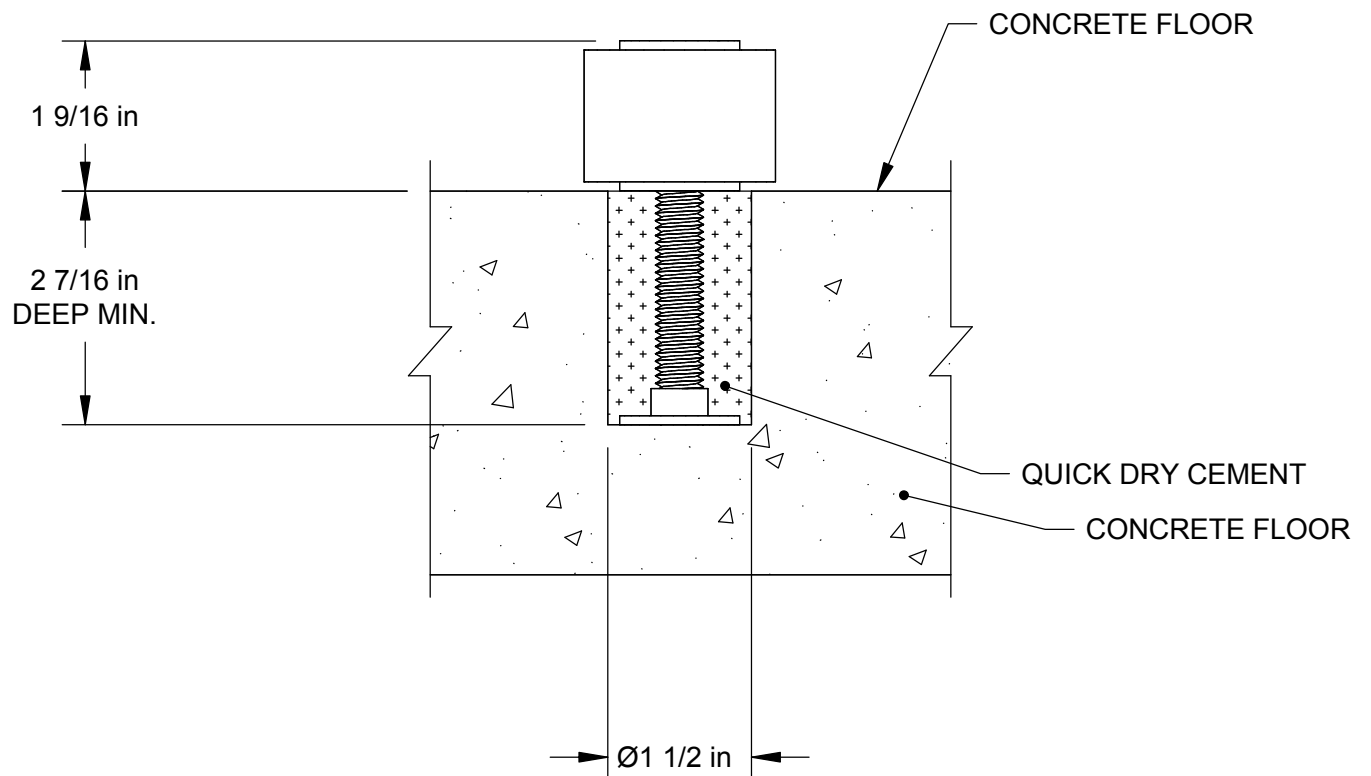
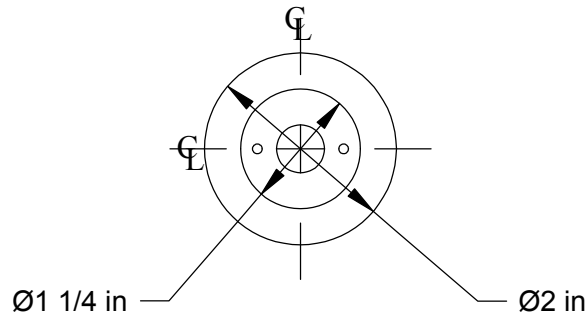
PRODUCT

1209 HEAVY DUTY STOP

INSTALLATION

INSTALL AS ONE PIECE, DO NOT TAKE APART

- 1) DRILL A 1-1/2" DIA HOLE INTO FLOOR
- 2) FILL HOLE TO WITHIN 1-INCH FROM TOP
- 3) PUSH STOP INTO HOLE AND LET IT SET



NOTE: This template is provided for use only on the job for which it was requested. Trimco reserves the right to make design changes without notice. Trimco will not be responsible for errors or damage caused by the use of out-of-date templates.

DATE

4/29/05