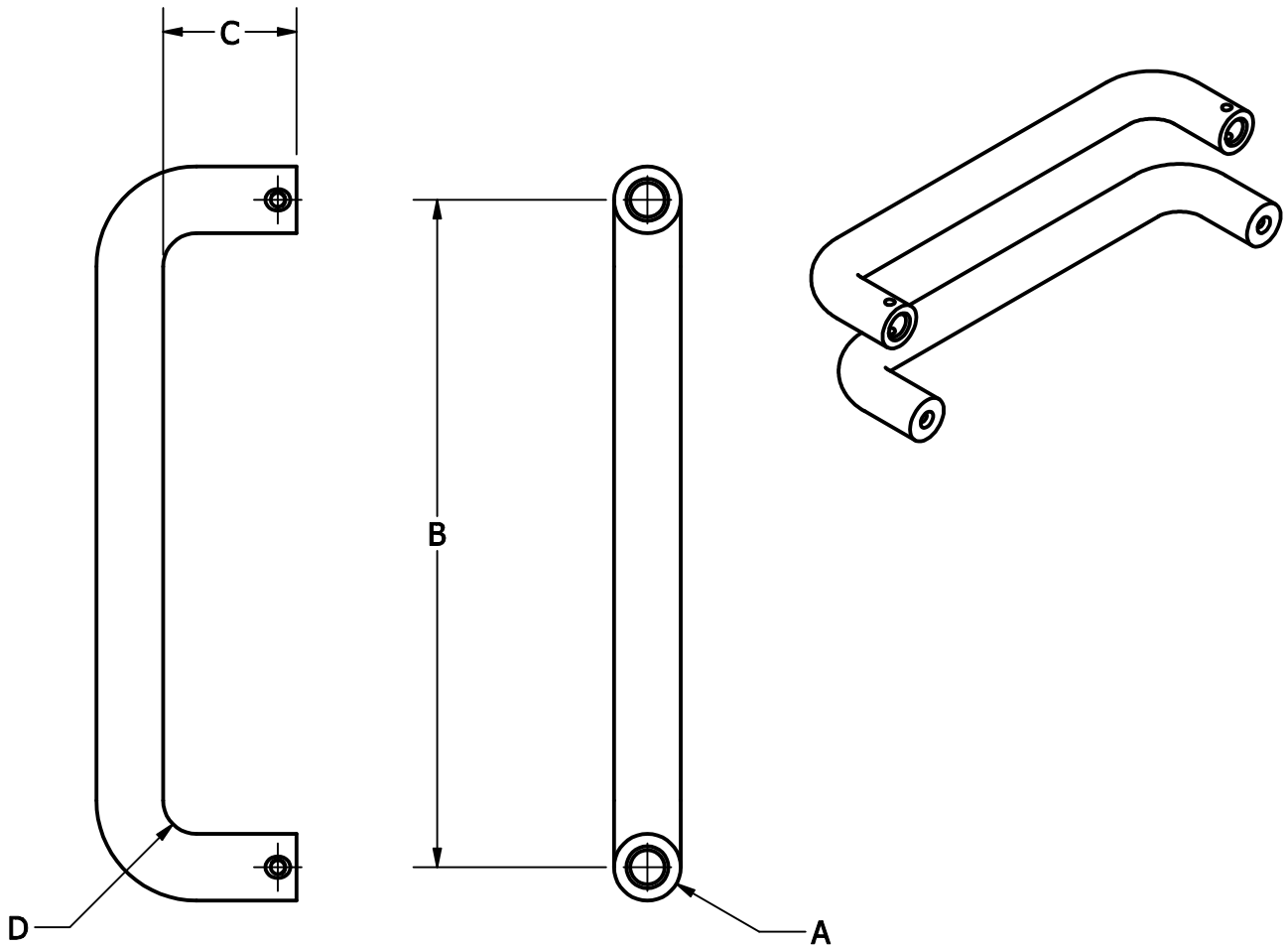




THIS ITEM IS SUPPLIED AS A MATCHED PAIR -
TWO HANDLES PER ORDER



SUPPLIED WITH TWO (2) SHOULDER BOLTS AND FOUR (4) SET SCREWS

PART #	A	B	C	D
1150G	1/2	6	1 1/2	1/2
1151G	1/2	8	1 1/2	1/2
1194G-1	3/4	6	1 7/8	3/4
1194G-2	3/4	8	1 7/8	3/4
1194G-3	3/4	10	1 7/8	3/4
1194G-4	3/4	12	1 7/8	3/4
1194G-5	3/4	14	2	3/4
1194G-6	3/4	16	2	3/4
1194G-7	3/4	18	2	3/4
1195G-1	1	8	2 3/16	1
1195G-2	1	10	2 3/16	1
1195G-3	1	12	2 3/16	1
1195G-4	1	14	2 3/16	1
1195G-5	1	16	2 3/16	1
1195G-6	1	18	2 3/16	1
1195G-3J	1 1/4	12	2 3/8	1 1/4
1195G-6J	1 1/4	18	2 3/8	1 1/4

NOTE: This template is provided for use only on the job for which it was requested. Trimco reserves the right to make design changes without notice. Trimco will not be responsible for errors or damage caused by the use of out-of-date templates.

DATE

5/12/06