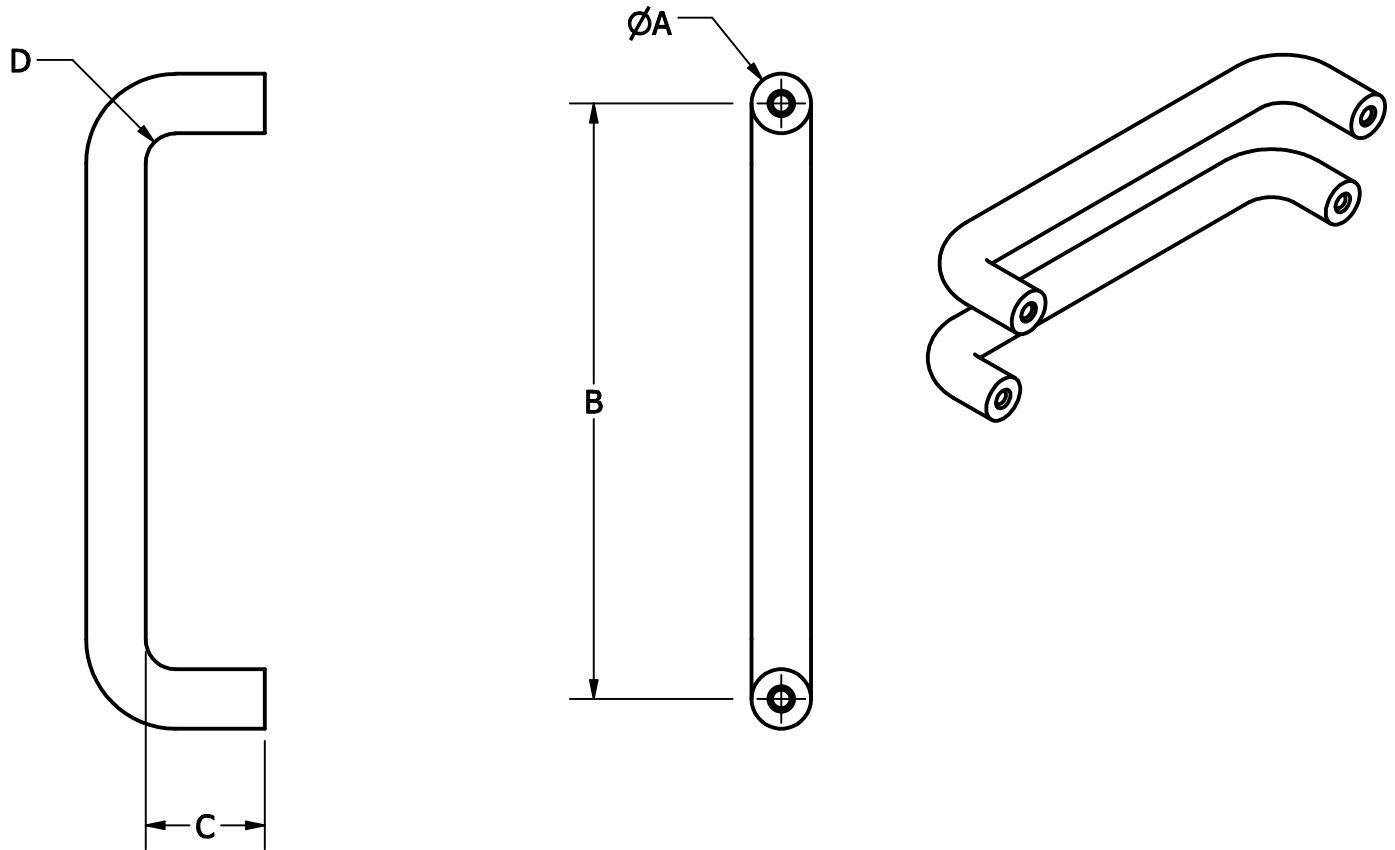




THIS ITEM IS SUPPLIED AS A MATCHED PAIR -
TWO HANDLES PER ORDER



SUPPLIED WITH TWO (2) 3/8-16LH AND 3/8-24RH THREADED STUDS AND
TWO (2) SPANNER TURNING WASHERS

PART #	A	B	C	D
1150L	Not offered in this mounting style			
1151L	Not offered in this mounting style			
1194L-1	3/4	6	1 7/8	3/4
1194L-2	3/4	8	1 7/8	3/4
1194L-3	3/4	10	1 7/8	3/4
1194L-4	3/4	12	1 7/8	3/4
1194L-5	3/4	14	2	3/4
1194L-6	3/4	16	2	3/4
1194L-7	3/4	18	2	3/4
1195L-1	1	8	2 3/16	1
1195L-2	1	10	2 3/16	1
1195L-3	1	12	2 3/16	1
1195L-4	1	14	2 3/16	1
1195L-5	1	16	2 3/16	1
1195L-6	1	18	2 3/16	1
1195L-3J	1 1/4	12	2 3/8	1 1/4
1195L-6J	1 1/4	18	2 3/8	1 1/4

NOTE: This template is provided for use only on the job for which it was requested. Trimco reserves the right to make design changes without notice. Trimco will not be responsible for errors or damage caused by the use of out-of-date templates.

DATE

5/16/06