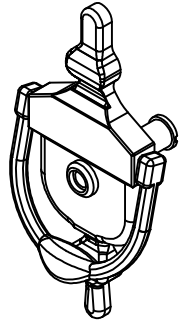
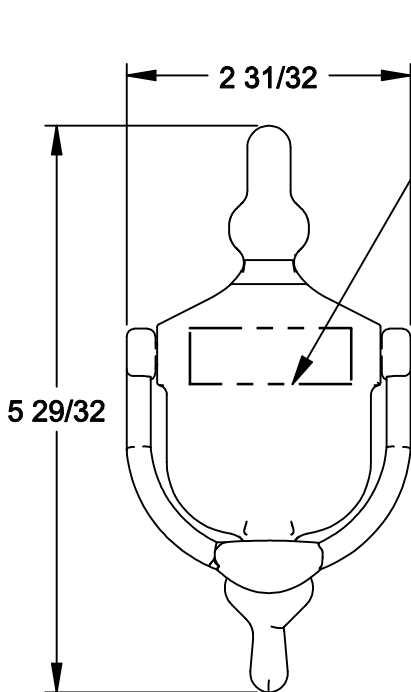


** - ILLUSTRATED WITH 975 VIEWER.
IF USING 976 VIEWER THEN THIS
DIMENSION SHOULD BE 2-5/16.

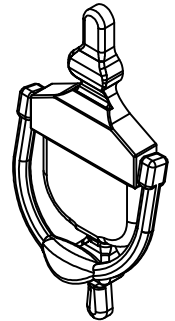
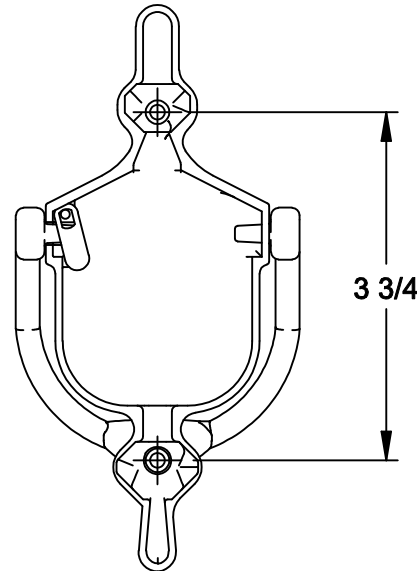
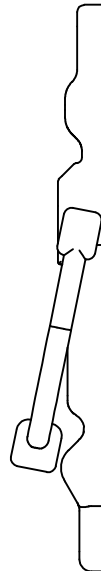


621V (WITH VIEWER)

HOLE PREP: Ø1/2 DRILLED HOLE FOR 975 VIEWER,
Ø9/16 DRILLED HOLE FOR 976 VIEWER.
Ø3/16 DRILLED HOLES FOR MOUNTING SCREWS



ENGRAVING LOCATION
WHEN ORDERING 621E
OTHERWISE, 621E IS
IDENTICAL TO 621.



621 (621E WITH ENGRAVING)

SUPPLIED WITH TWO (2) TWO INCH OVAL HEAD, PHILLIPS DRIVE
MACHINE SCREWS (FOR MOUNTING) AND TWO (2) FINISH WASHERS

NOTE: This template is provided for use only on the job for which it was requested.
Trimco reserves the right to make design changes without notice. Trimco will
not be responsible for errors or damage caused by the use of out-of-date templates.

DATE

03/24/10