

18730
SHT 1 OF 1

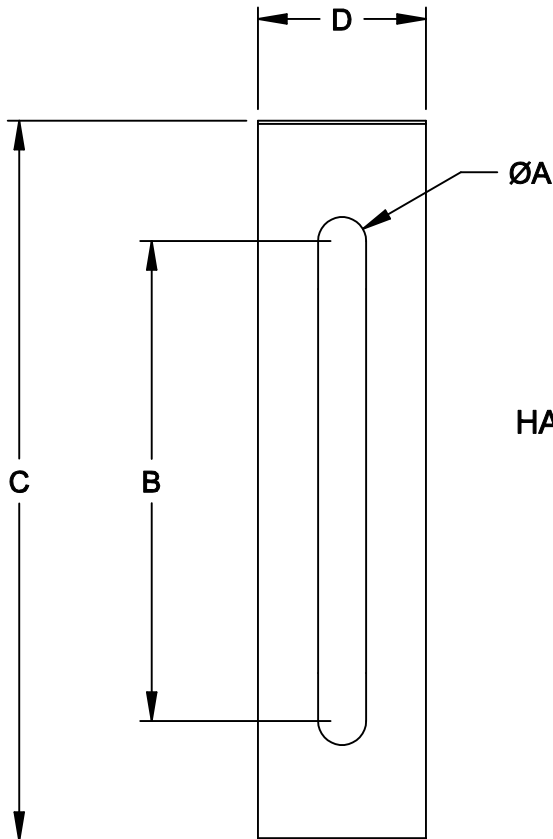
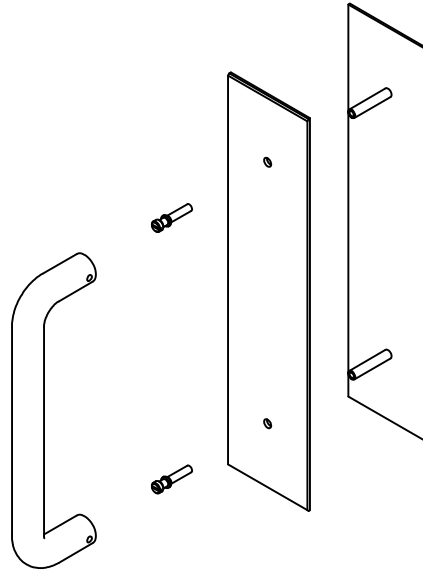


3528 Emery Street
PO BOX 23277
Los Angeles, CA 90023-0277
(323)262-4191 www.trimcobbw.com
email:info@trimcobbw.com

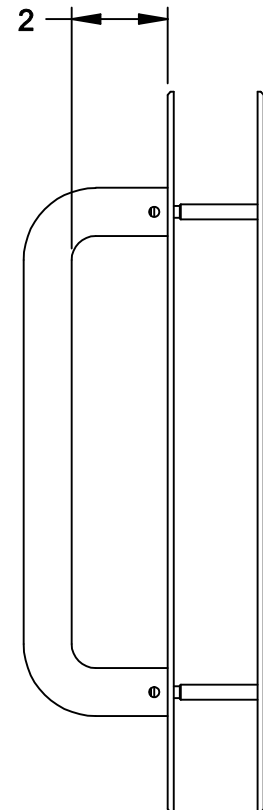
1894 AND 1895
PUSH/PULL PLATE COMBO

DOOR PREP: Ø3/8"
DRILLED HOLES, HANDLE
CENTER DISTANCE APART

INSTALL PUSH PLATE THROUGH HOLES,
HOLD PULL PLATE OVER HOLES AND
INSERT MOUNTING POSTS THROUGH
PULL PLATE THEN DOOR, THREAD
INTO PUSH PLATE. MOUNT HANDLE
ON POSTS USING FOUR (4) SUPPLIED
SET SCREWS.



HANDLE IS CENTERED ON PLATES



PART NUMBER	DIM A (Ø)	DIM B	DIM C	DIM D
1894-3	3/4"	6"	15"	3-1/2"
1894-3B	3/4"	8"	15"	3-1/2"
1894-4	3/4"	6"	16"	4"
1894-4B	3/4"	8"	16"	4"
1895-3	1"	8"	15"	3-1/2"
1895-3B	1"	10"	15"	3-1/2"
1895-4	1"	8"	16"	4"
1895-4B	1"	10"	16"	4"

NOTE: This template is provided for use only on the job for which it was requested. Trimco reserves the right to make design changes without notice. Trimco will not be responsible for errors or damage caused by the use of out-of-date templates.

DATE

4/29/08