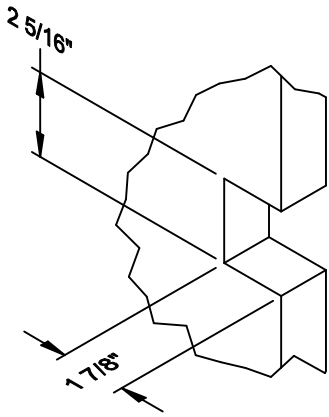
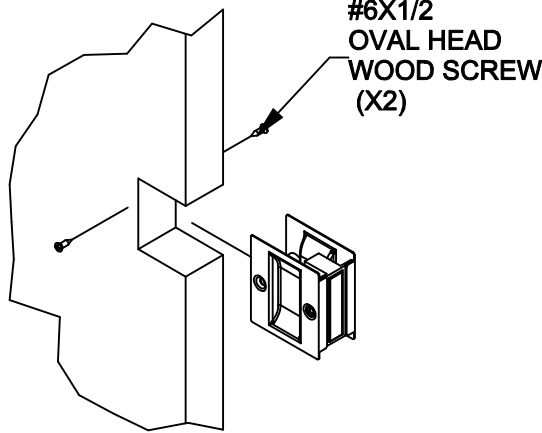




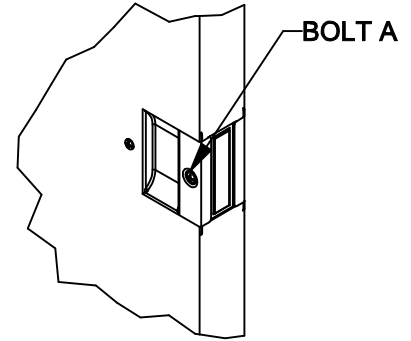
**1064 AND 1065 DOOR PREPARATION**



1. CUT NOTCH IN DOOR AS SHOWN

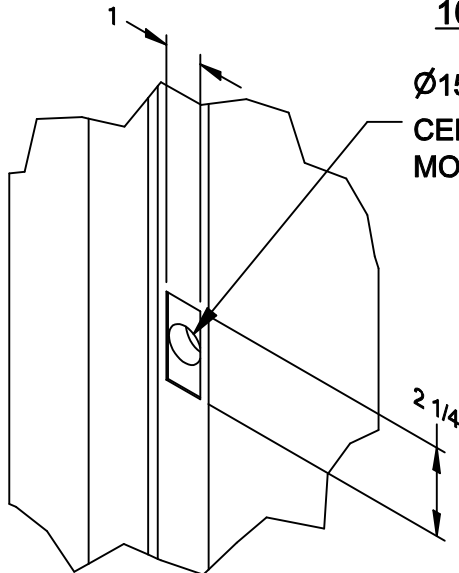


2. SLIP PULL INTO POSITION AS SHOWN



3. BOLT "A" ADJUSTS WIDTH OF PULL PAIR, AUTOMATICALLY ALIGNS PULL AND TIGHTENS PULL ON DOOR. INSTALL WOOD SCREWS (STEP 2) AFTER ADJUSTING EACH BOLT "A".

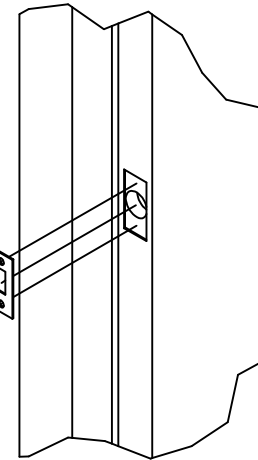
**1065 STRIKE PREPARATION**



1. MARK AND MORTISE STRIKE ON JAMB TO MATCH LOCK POSITION ON DOOR - MORTISE 3/64" DEEP. DRILL Ø15/16" HOLE 1/2" DEEP IN CENTER OF MORTISE.

Ø15/16" ∇ 1/2"  
CENTERED IN MORTISED SECTION

#6X3/4 UNDERCUT, FLAT HEAD WOOD SCREW (X2)



2. INSTALL STRIKE PLATE AS SHOWN.

PART NUMBER	DESCRIPTION
1064	PASSAGE FUNCTION - NO LATCHING, FOR 1-3/8" AND 1-3/4" DOORS
1064FCP	SINGLE SIDED "FLUSH CUP PULL"
1065	PRIVACY FUNCTION - TURN BUTTON INSIDE, EMERGENCY RELEASE OUTSIDE. FOR 1-3/8" DOORS ONLY
1065-175	SAME AS 1065 BUT FOR 1-3/4" DOORS
1065CD	PRIVACY FUNCTION - TURN BUTTON ON BOTH SIDES, STANDARD FOR 1-3/8" DOORS. SPECIFY IF FOR 1-3/4" DOOR
1065PA	PRIVACY FUNCTION - TURN BUTTON ONE SIDE, BLANK THE OTHER. STANDARD FOR 1-3/8" DOORS. SPECIFY IF FOR 1-3/4" DOORS

SEE SHEET 2 FOR 1064FCP INSTALLATION INSTRUCTIONS

TEMPLATE NO.

18989  
SHT 2 OF 2

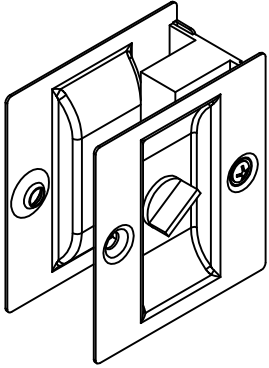


**Trimco**

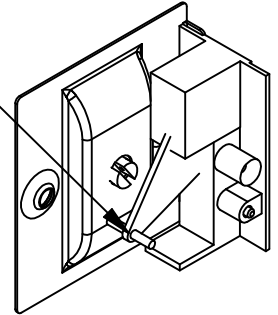
3528 Emery Street  
PO BOX 23277  
Los Angeles, CA 90023-0277  
(323)262-4191 www.trimcobbw.com  
email:info@trimcobbw.com

PRODUCT

1064/1065  
FLUSH CUP PULL

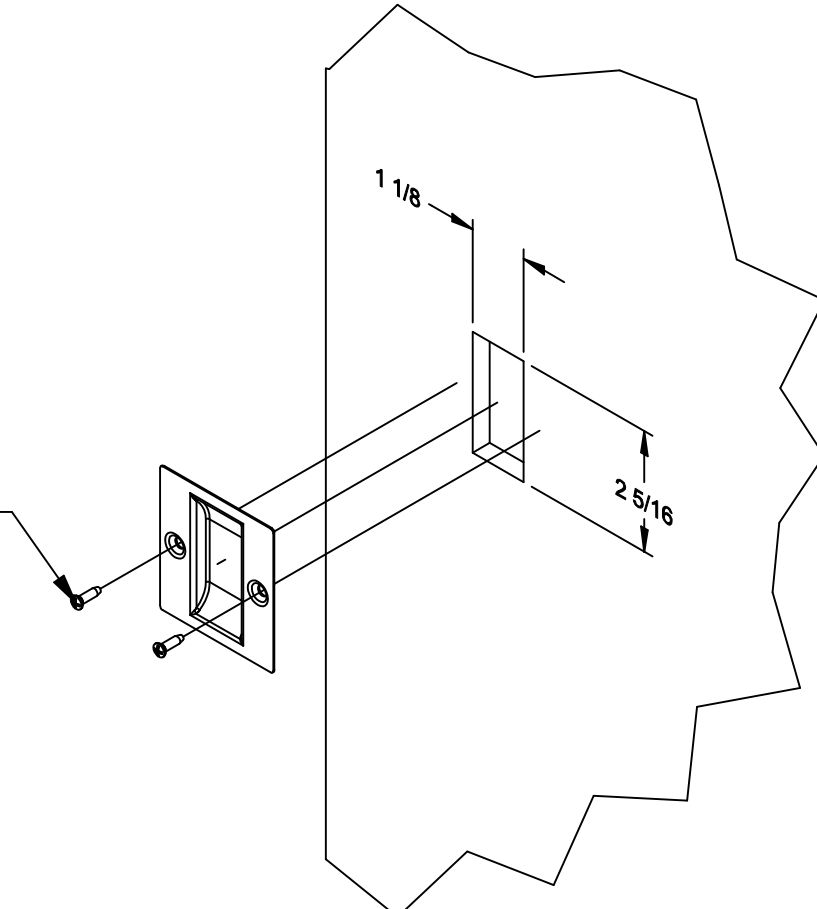


ROCKER PIN



PLATES CAN BE REVERSED TO MATCH REQUIRED ORIENTATION. UNSCREW BOTH BOLT "A" (SEE SHEET 1) TO REMOVE PLATES. REVERSE AND REATTACH, BE SURE TO ENGAGE FORK ARM WITH ROCKER PIN BEFORE INSTALLING BOLTS.

#6X1/2  
OVAL HEAD  
WOOD SCREW  
(X2)



TO INSTALL 1064FCP:  
MORITSE DOOR AS SHOWN - 1-1/8 X 2-5/16 X 3/8 DEEP. INSTALL USING SUPPLIED  
#6X1/2 OVAL HEAD, PHILIPS DRIVE WOOD SCREWS.

NOTE: This template is provided for use only on the job for which is was requested. Trimco reserves the right to make design changes without notice. Trimco will not be responsible for errors or damage caused by the use of out-of-date templates.

DATE

11/3/08