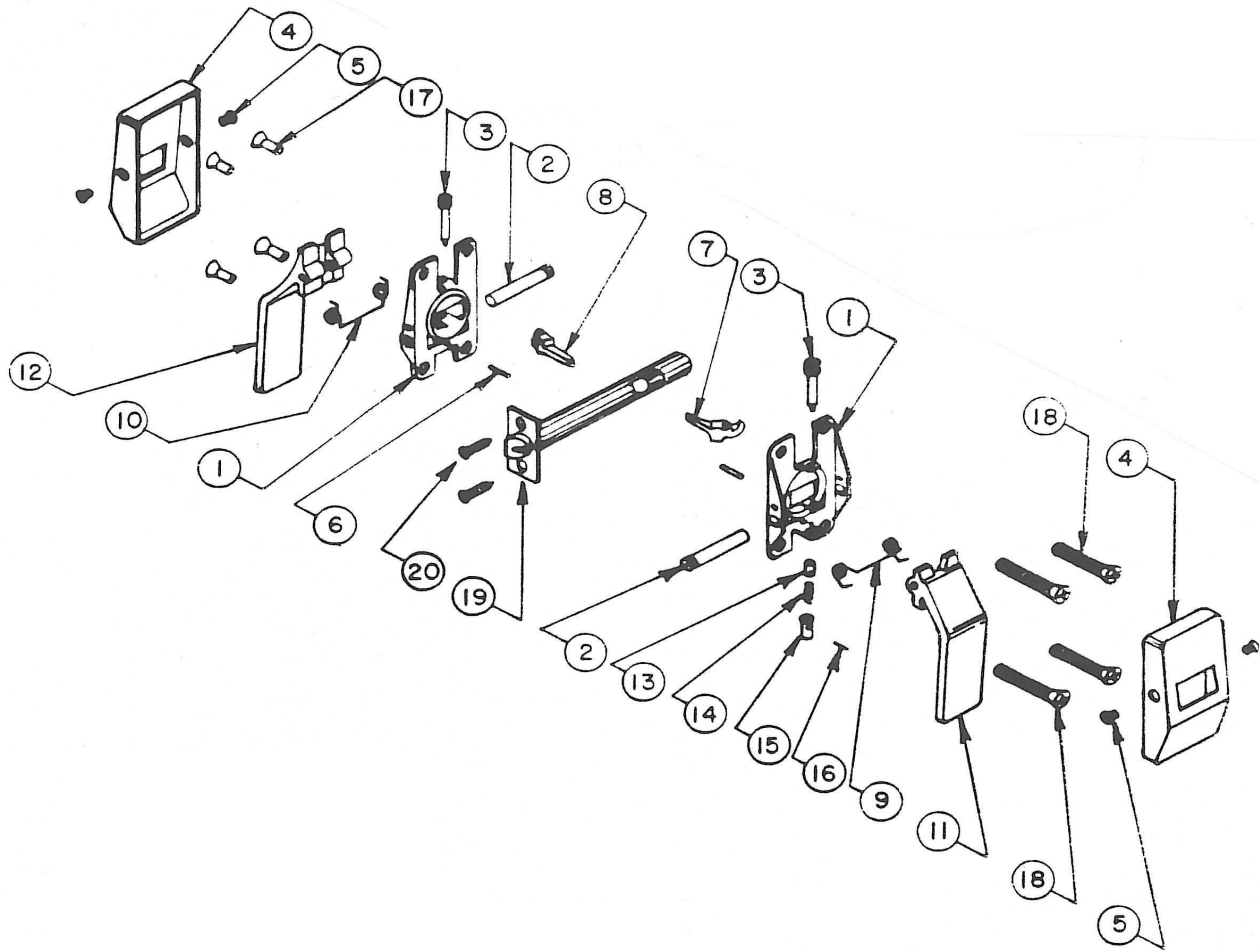


1562/1580 BILL OF MATERIAL NET PRICING



ITEM NO	QUANTITY	PART NO.	DESCRIPTION	U/M
25	2	A1562250016	BUSHING BRASS	each
23	1	3651 OR 3652	STRIKE	
22	4	F020038020L54	#10 EXTERNAL LOCK WASHER	set
21	2	D1562210073	RUBBER BUMPER 1562	
20	2	F00080124P5GC	#8 X 3/4" FHPH UC COMB SCREW	set
19	1	1502, 1503, 1505	LATCH BOLT 2-3/4", 3-3/4" OR 5	
18	4	F10240361P5FM	10/24 X 2-1/4" FH, PH MS	set
17	4	F102425H24	10/24 HEX NUT	set
16	A/R	R1562160003	95/5 X 11GA SOLDER 5LB	each
15	1	A1562150356	TUBE FIRE STOP PLATED	each
14	1	S1562140033	SPRING FIRE STOP	each
13	1	A1562130356	FIRE STOP PLUNGER PUSH HL	each
12	1	M1562122612	PULL HANDLE 626	each
11	1	M1562112612	1562 PUSH HANDLE 626	each
10	1	S1562100033	SPRING TORSION PULL	each
9	1	S1562090033	SPRING TORSION PUSH	each
8	1	M1562080021	1562-7 M/C PULL FINGER	each
7	1	M1562070021	1562-7 M/C PUSH FINGER	each
6	2	F125R12F	PIN ROLL 1/8 X 3/4"	each
5	4	F06320044P5OM	6/32 X 1/4" OH PH MS	set
4	2	M1562043015 (630)	COVER HOSP LATCH	each
		M1562042615 (626)	COVER HOSP LATCH	each
3	2	A1562030356	PIN FINGER PLTD	each
2	2	A1562020356	1562-02 KNURL PIN PLTD	each
1	2	M1562010455	1562 BASE W/STMP MC PLTD	each