

REVISIONS

LTR	DESCRIPTION	DATE	CHECKED
-	NEW DRAWING	1/25/88	IJS
A	REDRAWN	8/30/88	IJS
B	MODIFIED GUIDE	3/27/89	IJS
C	REVISED	TA 9-22-95	IJS

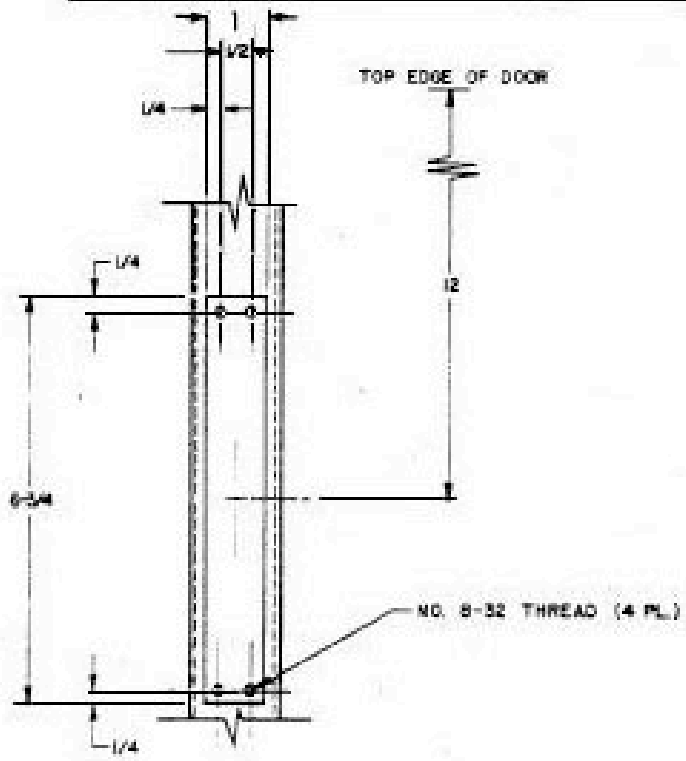
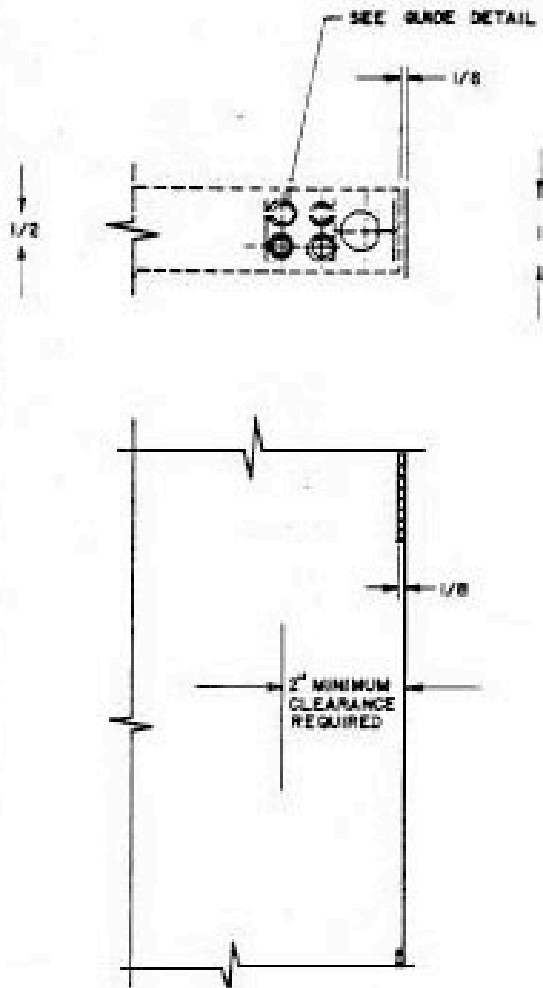
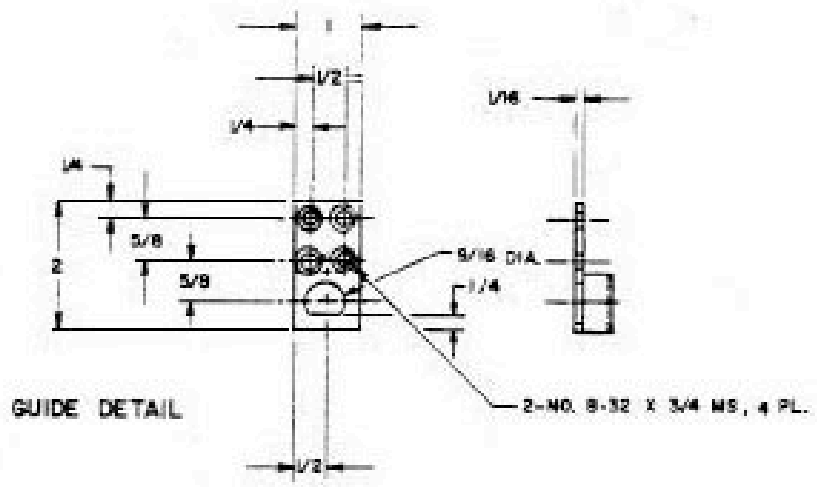


FIGURE 1



GUIDE DETAIL



PATENT #5004277
© TRIMCO, 1988

Trimco / BBW
 Trimco Brass Manufacturing Company, Inc.
 3528 Emery Street, P.O. Box 23277
 Los Angeles, CA 90023, USA

INSTALLATION 3820
 SEMI-AUTO FLUSHBOLTS
 (METAL DOOR)
 DRAWN BY: LAR

Book No. _____ Date Requested: _____
 This template is provided for use only on
 the job for which it was requested.
 Trimco reserves the right to make design
 changes without notice. 10255

REVISIONS

LTR	DESCRIPTION	DATE	CHECKED
	NEW DRAWING	1/26/88	IJS
A	REDRAWN	8/30/88	IJS
B	MODIFIED GUIDE	3/27/89	IJS
C	REVISED	9-22-95	<i>[Signature]</i>

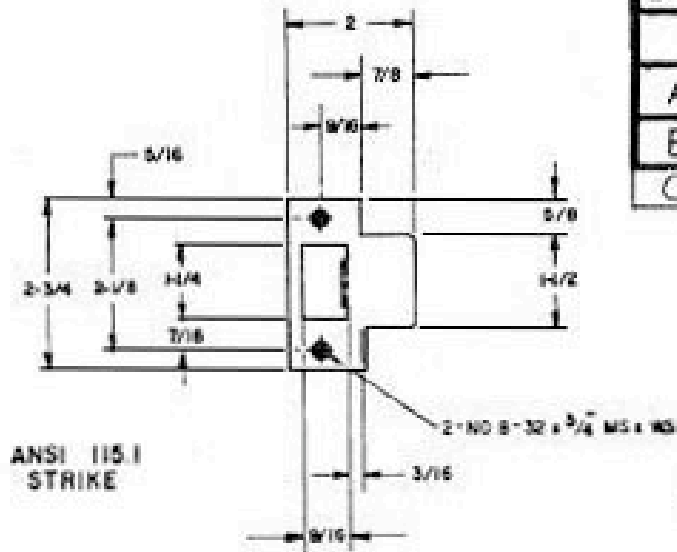


FIGURE 2

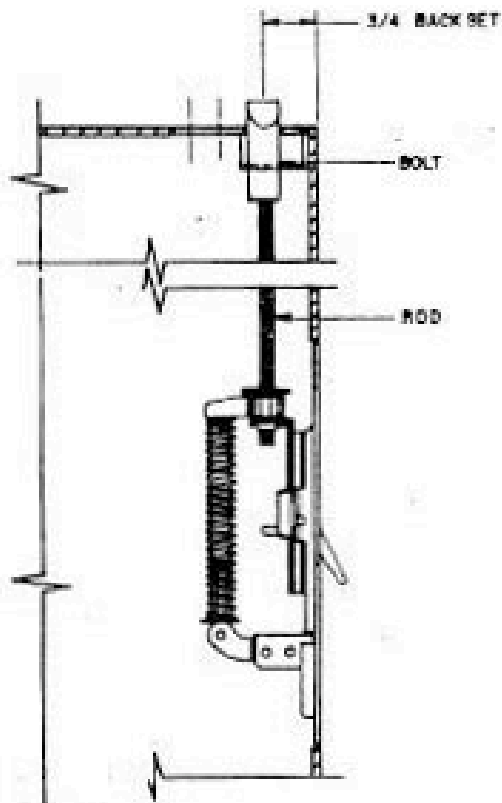
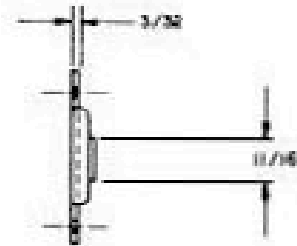
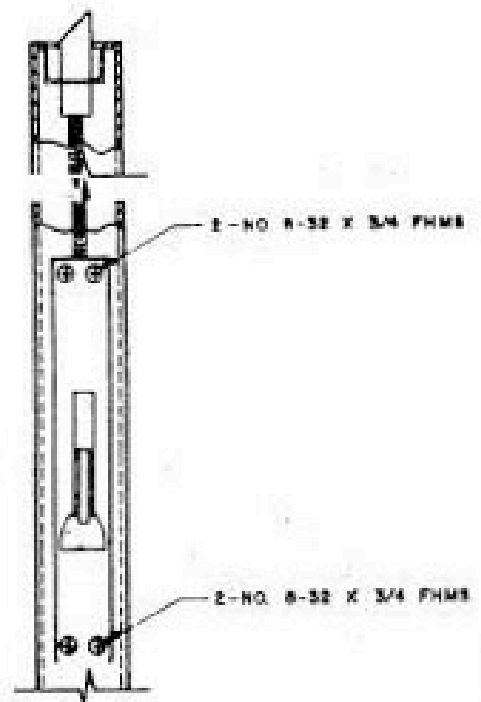


FIGURE 3



INSTALLATION INSTRUCTIONS

- 1) PREPARE CORNER OF INACTIVE DOOR AS SHOWN IN FIGURE 1. (TOP CORNER SHOWN).
- 2) PREPARE FRAME FOR ANSI 115.1 STRIKE AS IN FIGURE 2. LOCATE STRIKE TO LINE UP WITH BOLT. INSTALL STRIKE.
- 3) INSTALL TRIMCO 3820 AS SHOWN IN FIGURE 3.
- 4) HANG DOOR.
- 5) ADJUST BOLT TO PROVIDE 1/8" CLEARANCE BETWEEN BOLT AND STRIKE WHEN FULLY RETRACTED. TO ADJUST BOLT, REMOVE GUIDE AND ROTATE BOLT UP OR DOWN AS REQUIRED. REPLACE GUIDE.