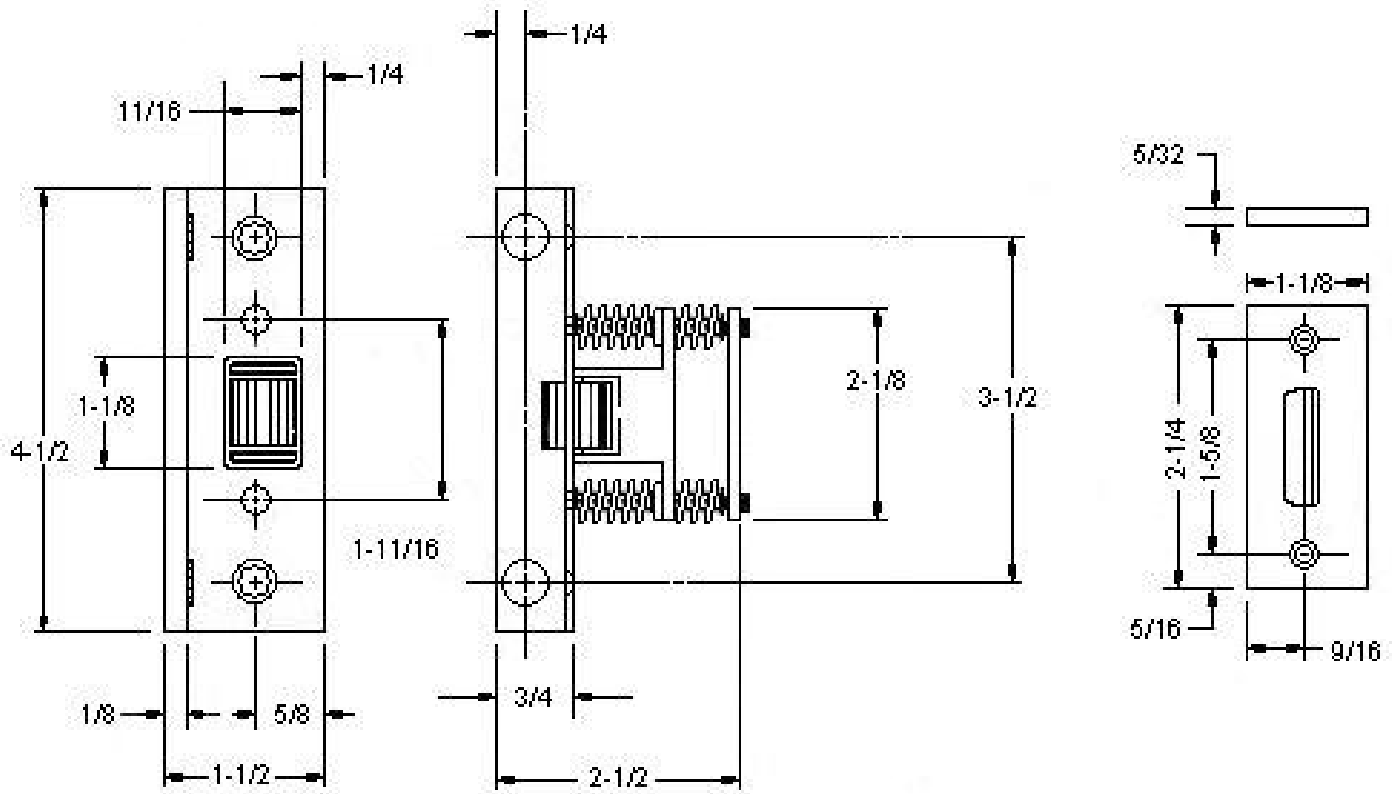


|   |                      |
|---|----------------------|
| A | REVISED: 4 - 5 - 95  |
| B | REVISED: 7 - 18 - 95 |
| C | REVISED: 9 - 15 - 95 |



1559BL ROLLER LATCH / STOP

MODIFIED "A" STRIKE

SCREW DETAILS:

BL STRIKE: 2 - #8 x 3/4" FHWS/MS COMBO

LATCH: 2 - 10-24 X 1-1/2" FHMS (METAL DOORS)

2 - #10 X 1-1/4" FHWS (WOOD DOORS)

DWG. NO. 1 0 7 1 1

**Trimco / BBW**  
 Triangle Brass Manufacturing Company, Inc.  
 3525 Emery Street, P.O. Box 23277  
 Los Angeles, CA 90023, USA

1559BL  
 ROLLER LATCH

DRAWN BY: ABC 7 - 25 - 90

TRIMCO RESERVES THE RIGHT  
 TO MAKE DESIGN CHANGES  
 WITHOUT NOTICE.