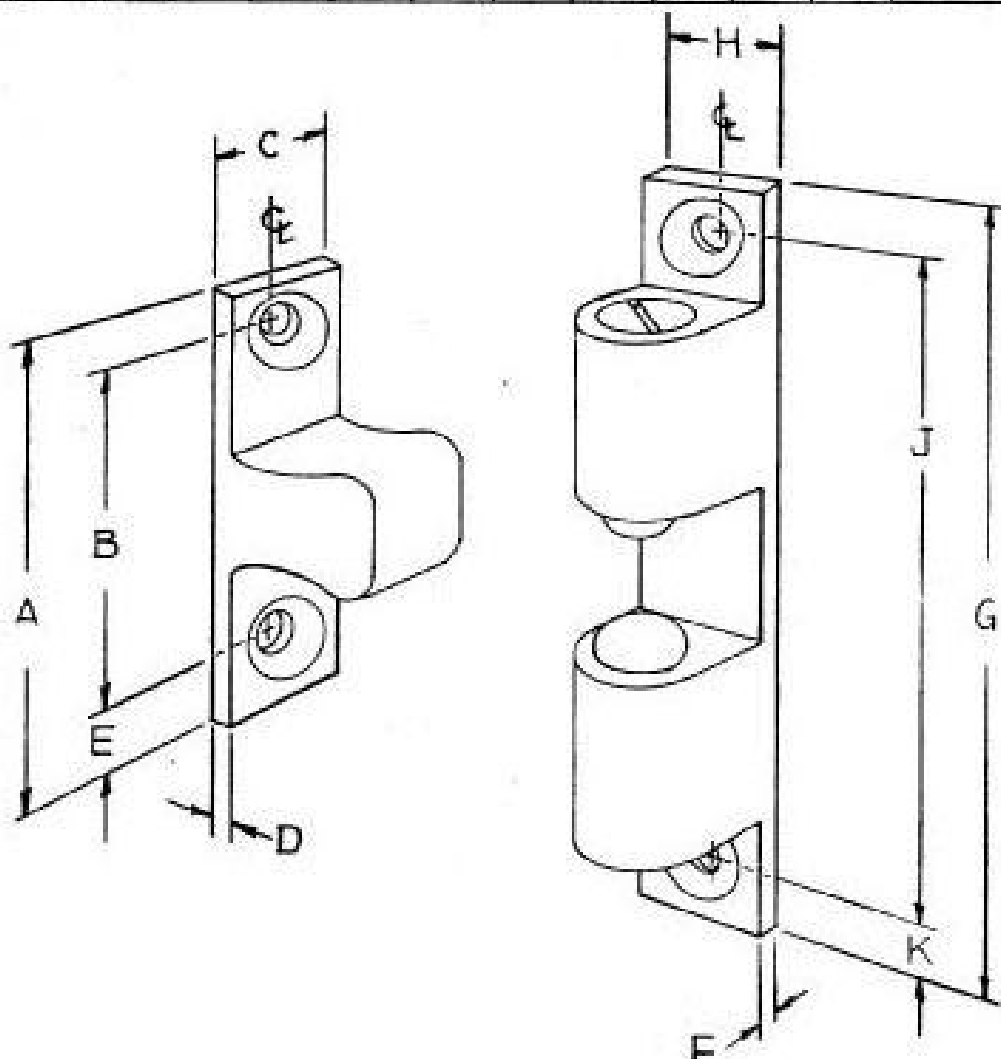


NOTES:

REVISIONS

LTR	DESCRIPTION	DATE	CHECKED
—	NEW REL.	11-7-94	<i>[Signature]</i>

PART NO.	A	B	C	D	E	F	G	H	J	K	FASTENERS
801	1"	$\frac{5}{8}$	$\frac{9}{32}$	$\frac{1}{16}$	$\frac{3}{16}$	$\frac{1}{16}$	$1\frac{11}{16}$	$\frac{5}{16}$	$1\frac{3}{8}$	$\frac{5}{32}$	#4x $\frac{1}{2}$ FH, PH, SMS (4) ea.
802	$1\frac{1}{8}$	$\frac{3}{4}$	$\frac{5}{16}$	$\frac{1}{16}$	$\frac{3}{16}$	$\frac{1}{16}$	$1\frac{15}{16}$	$\frac{3}{8}$	$1\frac{1}{2}$	$\frac{7}{32}$	#4x $\frac{5}{8}$ FH, PH, SMS (4) ea.
803	$1\frac{7}{16}$	1"	$\frac{3}{8}$	$\frac{1}{16}$	$\frac{7}{32}$	$\frac{1}{16}$	$2\frac{5}{16}$	$\frac{7}{16}$	$1\frac{7}{8}$	$\frac{7}{32}$	#2x $\frac{3}{4}$ FH, PH, SMS (4) ea.
804	$1\frac{9}{16}$	$1\frac{3}{16}$	$\frac{13}{32}$	$\frac{1}{16}$	$\frac{3}{16}$	$\frac{1}{16}$	$2\frac{3}{4}$	$\frac{1}{2}$	$2\frac{1}{4}$	$\frac{1}{4}$	#6x $\frac{3}{4}$ FH, PH, SMS (4) ea.



Trimco / BBW
 Triangle Brass Manufacturing Company, Inc.
 3528 Emery Street, P.O. Box 23277
 Los Angeles, CA 90023, USA

SCALE NONE

USED ON:
 801, 802, 803, 804

DRAWN BY T.A.

11-7-94

TITLE

3 WAY BALL TENSION CATCHES

PART NO

A DWG. NO. 11314