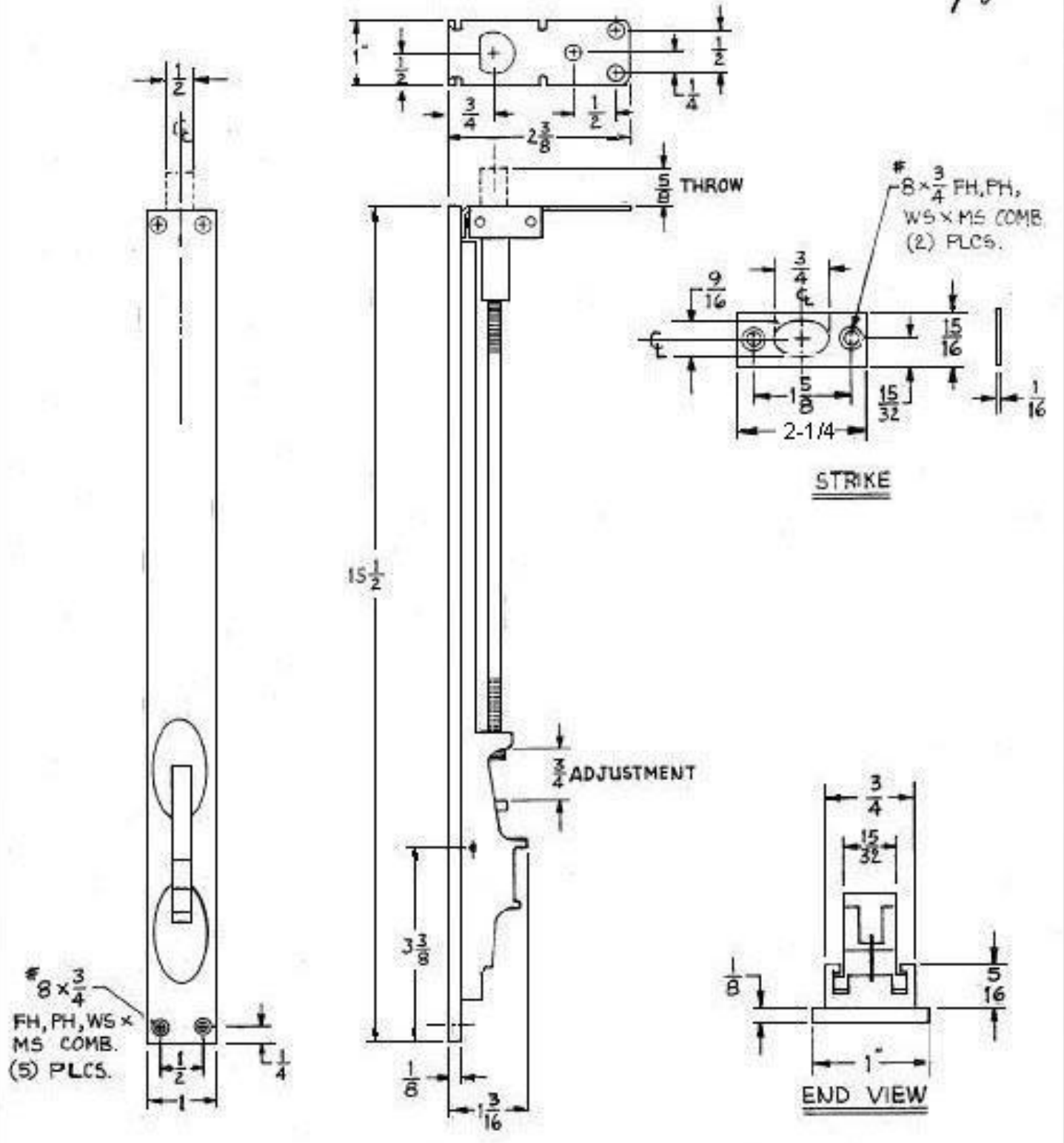


NOTES:

- THIS CONFORMS TO AMERICAN STANDARDS (A.N.S.I.) SPECIFICATIONS A1154-1959

REVISIONS

LTR	DESCRIPTION	DATE	CHECKED
—	NEW DWG.	2-3-95	<i>[Signature]</i>



Trimco / BBW
 Triangle Bolt Manufacturing Company Inc.
 3528 Emery Street, P.O. Box 23277
 Los Angeles, CA 90023, USA

SCALE	NONE
DRAWN BY	T.A. 2-3-95

TITLE	3916 EXTENSION BOLT
PART NO	
DWG. NO.	A 11391