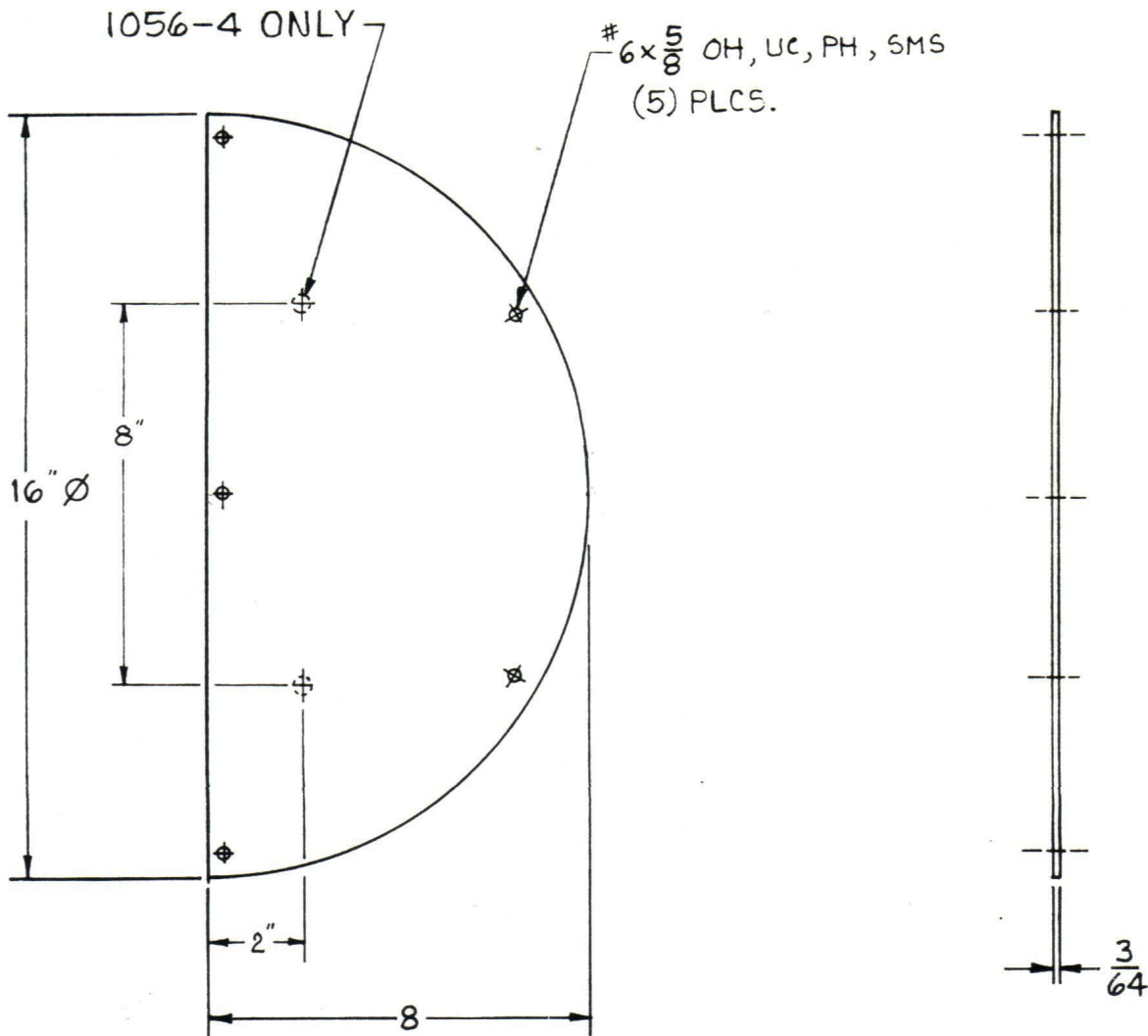


NOTES:

- 1056-4, SEE 1139-2 TEMPLATE FOR GRIP DIMENSIONS.
- 1056-4 SUPPLIED WITH
 2- $\frac{1}{4}$ -20x $2\frac{1}{4}$ FH, PH, MS
 2-#14 FINISH WASHERS
 5- $\#6 \times \frac{5}{8}$ OH, UC, PH, SMS
- DO NOT PREDRILL DOOR.

REVISIONS

| LTR | DESCRIPTION | DATE | CHECKED |
|-----|-------------|---------|--------------------|
| - | NEW DWG. | 2-17-95 | <i>[Signature]</i> |



001102 .050

Book No. ___ Date Requested: ___
 This template is provided for use only on the job for which it was requested.
 Trimco/BBW reserves the right to make design changes without notice.



Triangle Brass Manufacturing Company, Inc.
 3528 Emery Street, P.O. Box 23277
 Los Angeles, CA 90023, USA

TITLE

PUSH PLATE 8x16

PART NO 1041-4, 1056-4

DRAWN BY T.A. 2-17-95

A DWG. NO. 11400