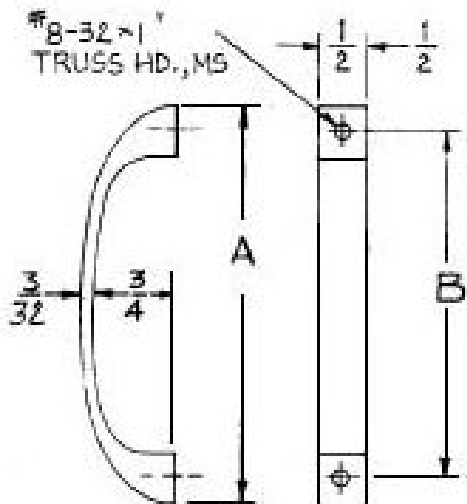


NOTES:

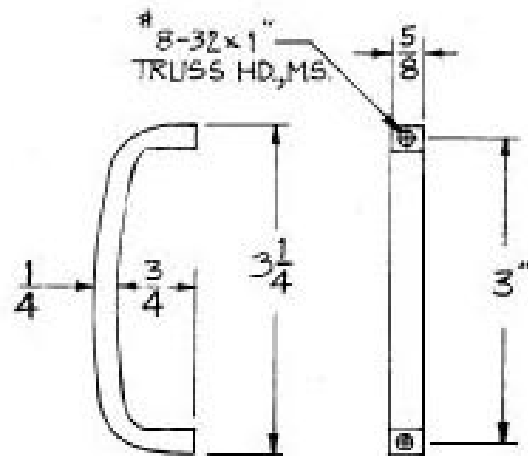
REVISIONS

LTR.	DESCRIPTION	DATE	CHECKED
—	NEW DWG.	3-20-95	T.A.

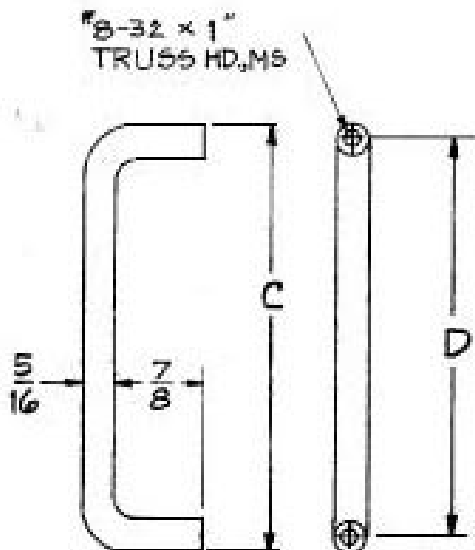


TRIMCO PART NO.	BBW PART NO.	A	B
283	283	3 1/2	3
284	284	4	3 1/2

NOTE: SEE MOUNTING DETAIL.



TRIMCO #N 553  
BBW #N 79



TRIMCO PART NO.	BBW PART NO.	C	D
562-3	9054	3 13/16	3 1/2
562-4	9054-4	4 5/16	4

Book No. \_\_\_\_\_ Date Requested: \_\_\_\_\_

This template is provided for use only on the job for which it was requested.

Trimco/BBW reserves the right to make design changes without notice.

**Trimco / BBW**  
 Tru-Steel Manufacturing Company, Inc.  
 3528 Emery Street, P.O. Box 23277  
 Los Angeles, CA 90023, USA

SCALE

TITLE  
 283, 284, 553, 562-3, 562-4  
 DRAWER PULL

PART NO

DRAWN BY T.A. 3-20-95

A DWG. NO. 11423