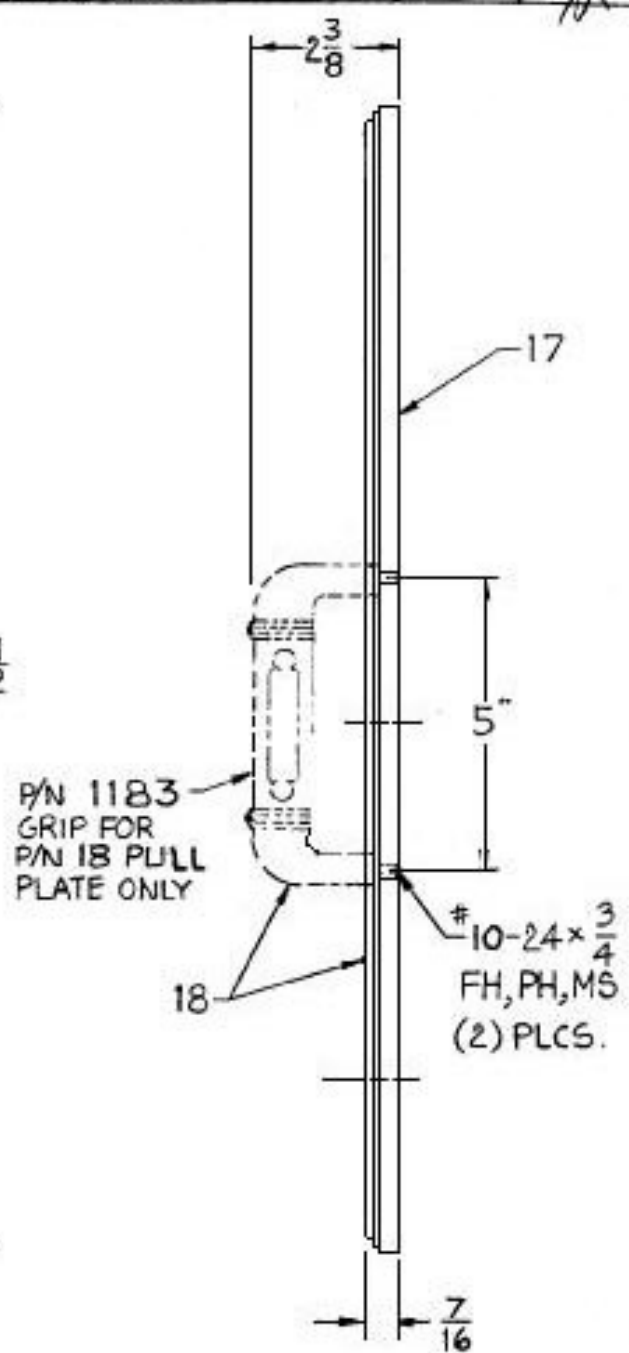
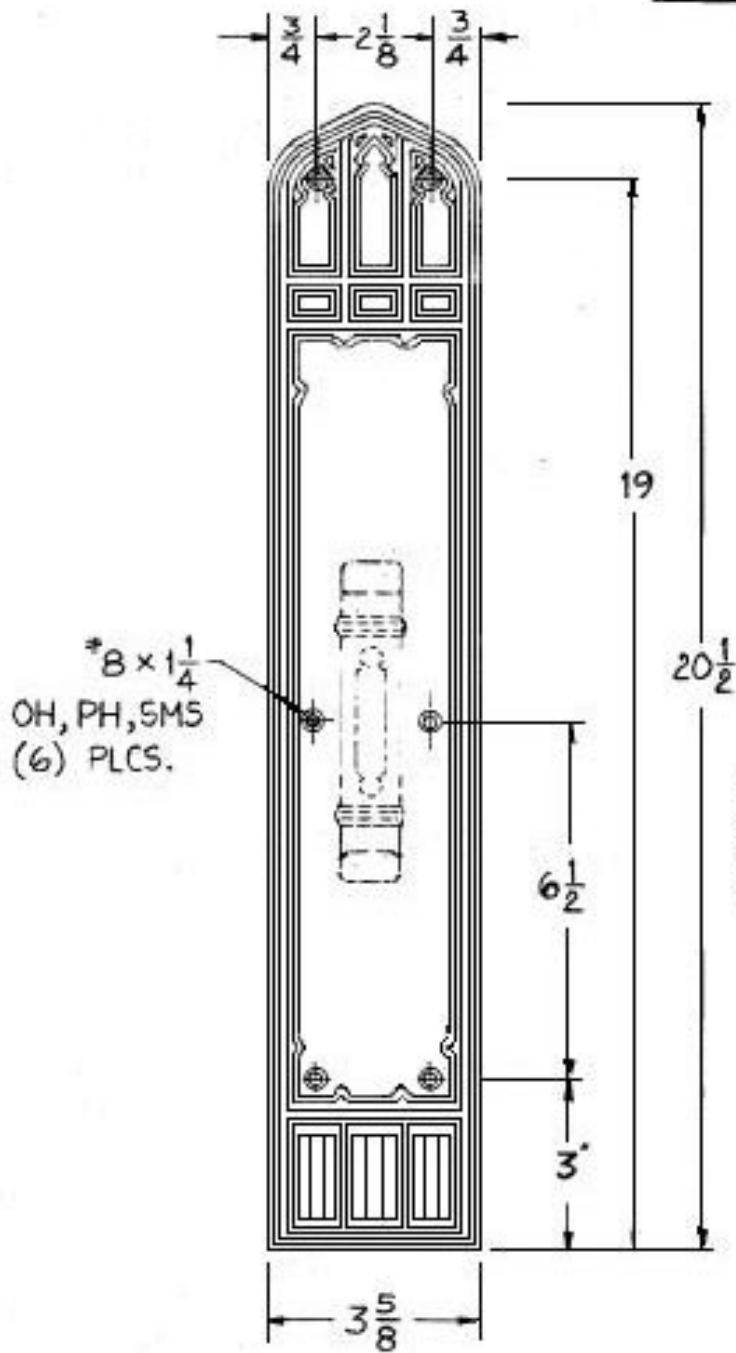


NOTES:
1. DO NOT PREDRILL DOOR.

REVISIONS

LTR	DESCRIPTION	DATE	CHECKED
-	NEW DWG.	5-11-95	<i>[Signature]</i>



Book No. Date Requested:
This template is provided for use only on the job for which it was requested.
Trimco/BBW reserves the right to make design changes without notice.

Trimco / BBW
Triangle Brass Manufacturing Company, Inc.
3528 Emery Street, P.O. Box 23277
Los Angeles, CA 90023, USA

SCALE	NONE	TITLE	17, 18
			CLASSIC PUSH & PULL PLATE
		PART NO	
DRAWN BY	T.A.	5-11-95	A DWG. NO. 11453