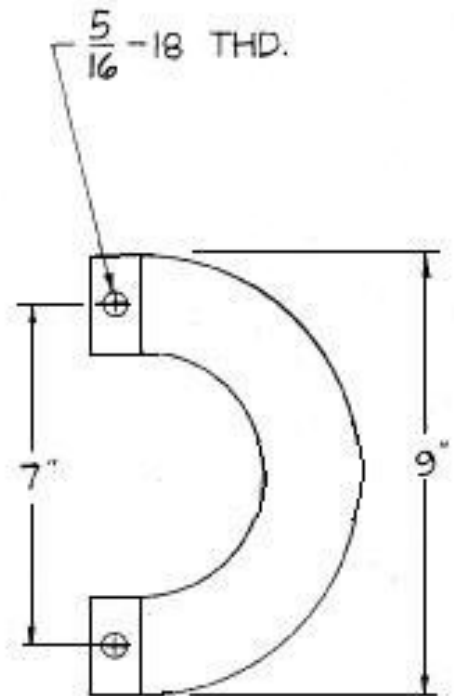
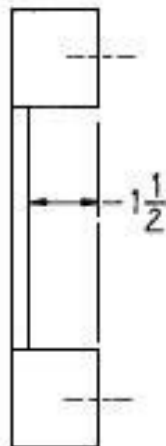
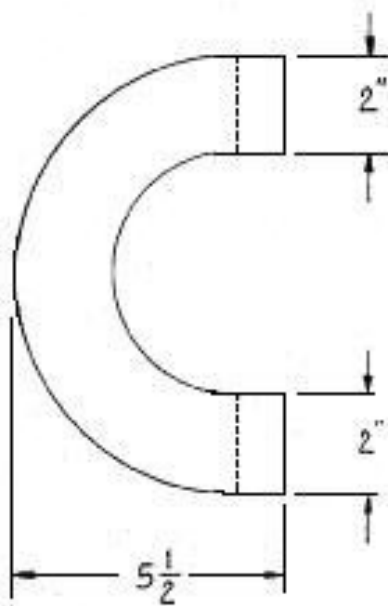
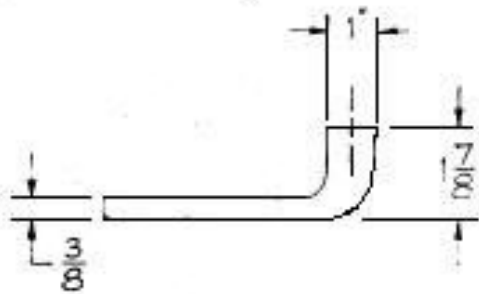


NOTES:

1. SEE MOUNTING METHODS.

REVISIONS

LTR	DESCRIPTION	DATE	CHECKED
-	NEW DWG.	6-12-95	<i>[Signature]</i>



Book No. _____ Date Requested: _____

This template is provided for use only on the job for which it was requested.

Trimco/BBW reserves the right to make design changes without notice.

Trimco / BBW
 Triangle Brass Manufacturing Company, Inc.
 3528 Emery Street, P.O. Box 23277
 Los Angeles, CA 90023, USA

SCALE

TITLE

1320

MASTERPIECE PULL

PART NO

DRAWN BY T.A. 6-12-95

A DWG. NO. 11473