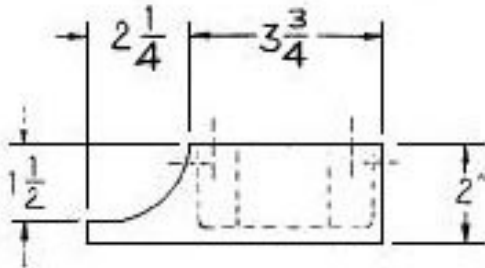


NOTES:

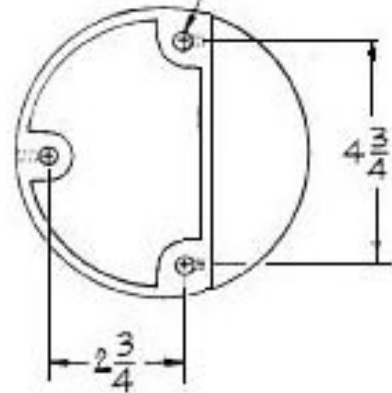
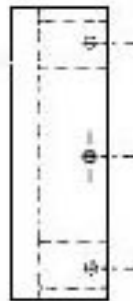
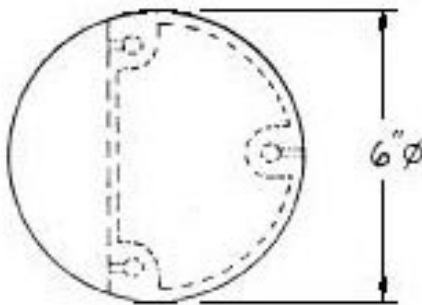
1. DO NOT PREDRILL DOOR

REVISIONS

LTR	DESCRIPTION	DATE	CHECKED
-	NEW DWG.	6-16-95	<i>[Signature]</i>



$\frac{5}{16}$ -18 THD.
OR
 $\frac{1}{2}$ Ø BORE FOR
CONCEALED
MOUNTING



Book No. Date Requested:
This template is provided for use only on
the job for which it was requested.
Trimco/BBW reserves the right to make
design changes without notice.

Trimco / BBW
Single Piece Manufacturing Company, Inc.
3528 Emery Street, P.O. Box 23277
Los Angeles, CA 90023, USA

SCALE

TITLE

1360

MASTERPIECE PULL

PART NO

DRAWN BY T.A. 6-16-95

A DWG. NO. 11477