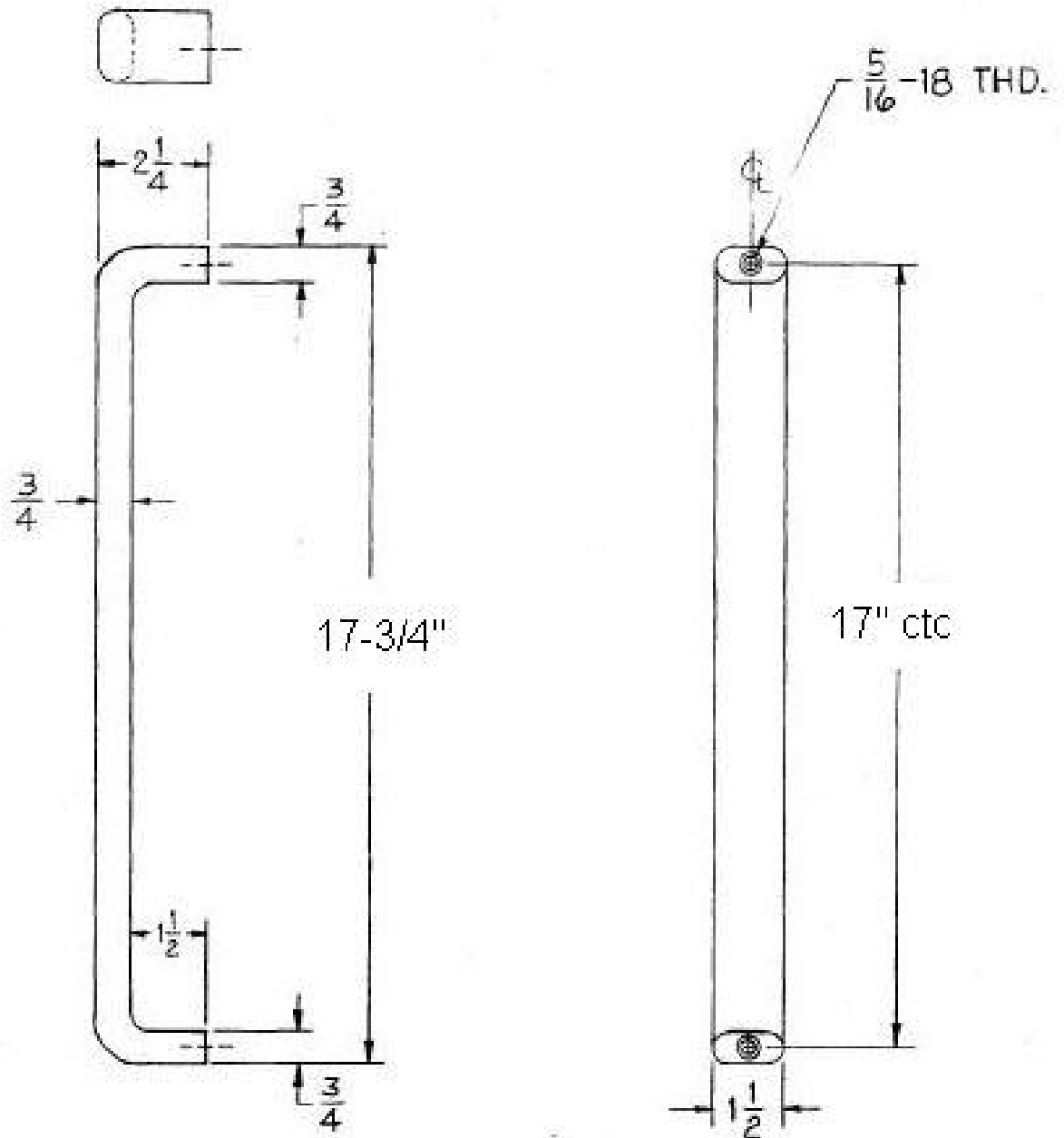


NOTES:

1. SEE MOUNTING METHODS.

REVISIONS

LTR	DESCRIPTION	DATE	CHECKED
-	NEW DWG.	6-19-95	<i>[Signature]</i>



Trimco / BBW
 Triangle Steel Manufacturing Company Inc.
 3528 Emery Street, P.O. Box 23277
 Los Angeles, CA 90023, USA

SCALE

TITLE

1342

MASTERPIECE PULL

PART NO

DRAWN BY

T.A. 6-19-95

A

DWG. NO.

11481