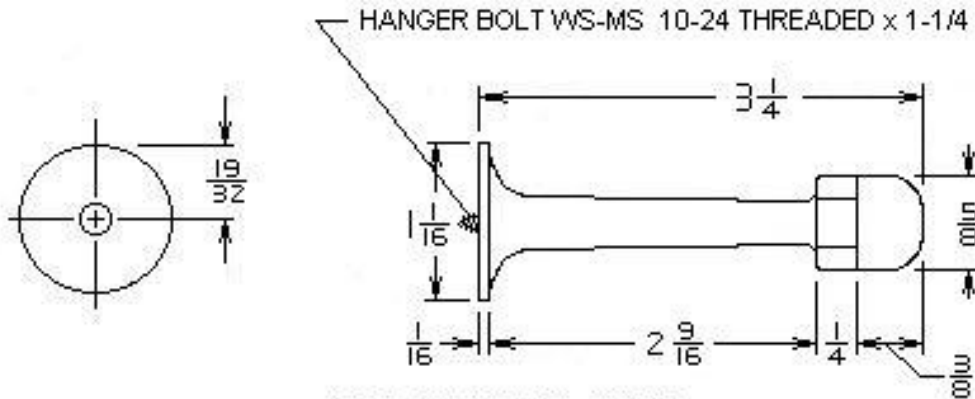
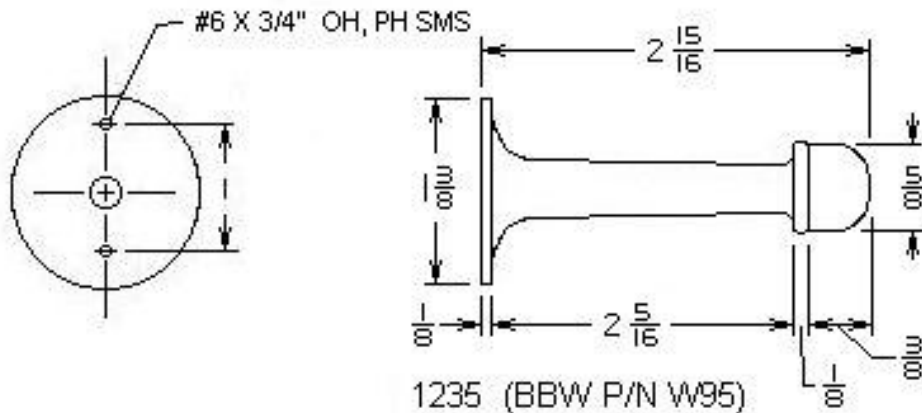


A REVISED: 1 - 14 - 87

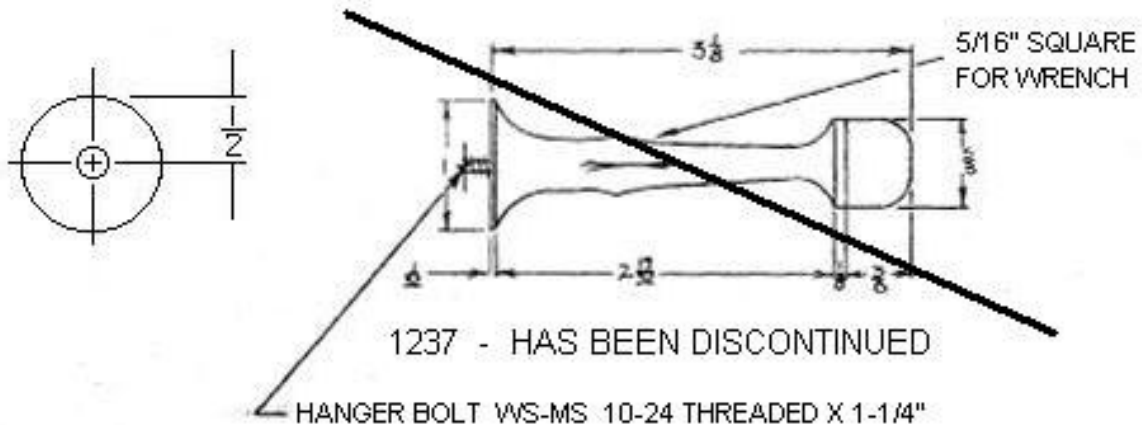
B REVISED: 8 - 21 - 95



1208 (BBW P/N W812)



1235 (BBW P/N W95)



1237 - HAS BEEN DISCONTINUED

DWG NO. 11536

Trimco / BBW
Trimco Brass Manufacturing Company, Inc.
3528 Emery Street, P.O. Box 23277
Los Angeles, CA 90023, USA

1208, 1235, 1237
DOOR STOP

DRWN BY: L.R.

Book No. _____ Date Requested _____
This template is provided for use only on the
job for which it was requested.
Trimco reserves the the right to make design
changes without notice.